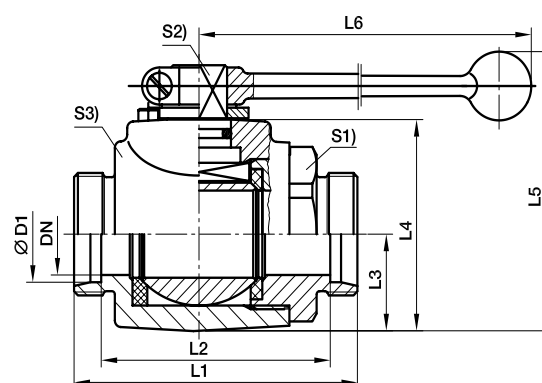
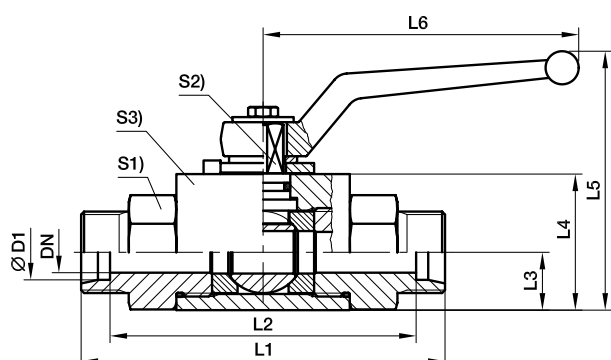
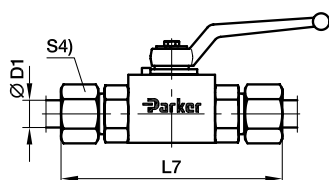


KH 2-way ball valve steel

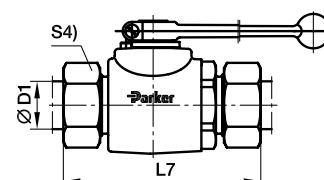
EO 24° cone end / EO 24° cone end



DN 4-25



DN 32-40



Series	D1	DN	L1	L2	L3	L4	L5	L6	L7	S1	S2	S3	S4	Weight g/1 piece	Order code*	PN (bar) ¹⁾	
L ³⁾	06	4	67	53	10.0	25	55.0	76	82	19	7	20	14	195	KH06LX	500	
	08	6	67	53	10.0	25	55.0	76	82	19	7	20	17	190	KH08LX	500	
	10	8	75	61	14.5	35	68.0	100	90	24	8	30	19	420	KH10LX	500	
	12	10	75	61	14.5	35	68.0	100	90	24	8	30	22	410	KH12LX	500	
	15	12	83	69	17.0	40	92.0	113	99	30	10	35	27	631	KH15LX	500	
	18	16	82	67	20.0	45	105.0	113	99	36	11	45	32	850	KH18LX	400	
	22	20	99	84	24.0	55	113.0	187	116	41	14	45	36	1210	KH22LX	400	
	28	25	108	93	26.0	60	118.0	187	126	50	14	55	41	1750	KH28LX	400	
	35	25	116	95	26.0	60	118.0	187	138	50	14	55	50	1820	KH35LDN25X	400	
	35	32	121	100	36.5	80	180.5	320	143	60	17	73	50	3158	KH35LX	315	
	42	25	121	99	26.0	60	118.0	187	144	55	14	55	60	1940	KH42LDN25X	400	
	42	40	118	96	42.5	90	190.5	320	141	70	17	85	60	3788	KH42LX	315	
	S ⁴⁾	08	4	73	59	10.0	25	55.0	76	88	19	7	20	19	214	KH08SX	500
		10	6	73	58	10.0	25	55.0	76	90	19	7	20	22	220	KH10SX	500
12		8	77	62	14.5	35	68.0	100	94	24	8	30	24	430	KH12SX	500	
14		10	81	65	14.5	35	68.0	100	100	24	8	30	27	440	KH14SX	500	
16		12	87	70	17.0	40	92.0	113	106	30	10	35	30	649	KH16SX	500	
20		16	90	69	20.0	45	105.0	113	112	36	11	45	36	900	KH20SX	400	
25		20	107	83	24.0	55	113.0	187	131	41	14	45	46	1290	KH25SX	400	
30		25	120	93	26.0	60	118.0	187	146	50	14	55	50	1880	KH30SX	400	
38		25	134	102	26.0	60	118.0	187	163	55	14	55	60	1950	KH38SDN25X	400	
38		32	127	95	36.5	80	180.5	320	156	60	17	73	60	3266	KH38SX	315	

¹⁾ Pressure shown = item deliverable

³⁾ L = light series; ⁴⁾ S = heavy series

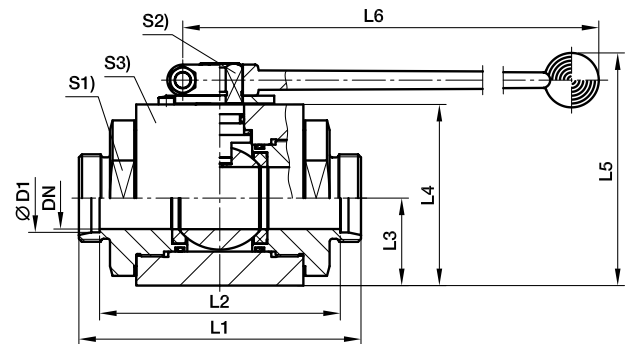
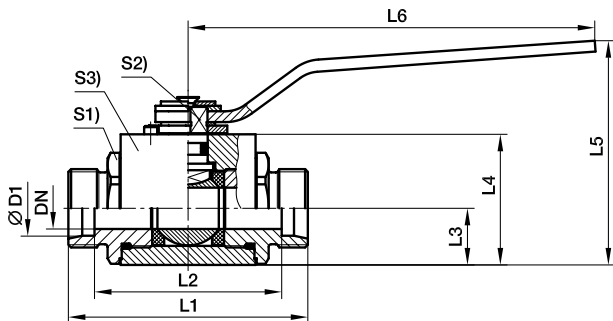
$$\frac{\text{PN (bar)}}{10} = \text{PN (MPa)}$$

Delivery without nut and ring. Information on ordering complete fittings or alternative sealing materials see page 17.

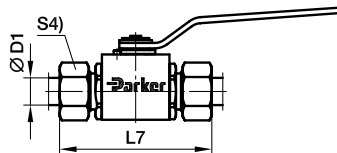
Order code suffixes			
Material	Suffix surface and material	Example	Standard sealing material (no additional suffix needed)
Steel, zinc plated, Cr(VI)-free	CF	KH06LCFX	POM / NBR
Steel	DIN 50938-FE//A/T4	KH06LX	POM / NBR

KH 2-way ball valve stainless steel

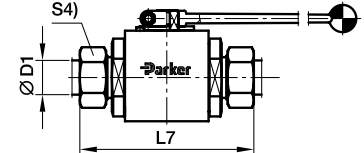
EO 24° cone end / EO 24° cone end



DN 4-25



DN 32-40



Series	D1 	DN	L1	L2	L3	L4	L5	L6	L7	S1	S2	S3	S4	Weight g/1 piece	Order code*	PN (bar) ¹⁾ 71
L ³⁾	06	4	73	59	13.7	30.0	56.5	76	88	22	7	30	14	383	KH06L71X	500
	08	6	73	59	13.7	30.0	56.5	76	88	22	7	30	17	381	KH08L71X	500
	10	8	87	73	18.0	40.0	84.5	130	102	30	8	40	19	809	KH10L71X	500
	12	10	87	73	18.0	40.0	84.5	130	102	30	8	40	22	821	KH12L71X	500
	15	12	91	77	21.0	45.0	90.0	130	107	32	10	45	27	1020	KH15L71X	500
	18	16/12	91	76	21.0	45.0	90.0	130	108	32	10	45	32	1037	KH18L71X	500
	22	20	105	87	31.0	65.0	115.0	185	119	46	14	65	36	1610	KH22L71X	420
	28	25	112	92	38.0	75.0	125.0	185	125	50	14	75	41	2032	KH28L71X	420
	35	32	145	124	45.0	93.2	175.0	320	148	70	19	100	50	4780	KH35L71X	420
	42	40	150	114	52.5	104.4	186.0	320	159	80	19	110	60	7754	KH42L71X	420
S ⁴⁾	08	4	76	62	13.7	30.0	56.5	76	91	22	7	30	19	392	KH08S71X	500
	10	6	76	61	13.7	30.0	56.5	76	93	22	7	30	22	460	KH10S71X	500
	12	8	89	74	18.0	40.0	84.5	130	106	30	8	40	24	840	KH12S71X	500
	14	10	93	77	18.0	40.0	84.5	130	112	30	8	40	27	847	KH14S71X	500
	16	12	96	79	21.0	45.0	90.0	130	115	32	10	45	30	1055	KH16S71X	500
	20	16/12	99	78	21.0	45.0	90.0	130	121	32	10	45	36	1079	KH20S71X	500
	25	20	113	86	31.0	65.0	115.0	185	134	46	14	65	46	1720	KH25S71X	420
	30	25	124	93	38.0	75.0	125.0	185	146	50	14	75	50	2150	KH30S71X	420
38	32	145	100	45.0	93.2	175.0	320	161	70	19	100	60	6066	KH38S71X	420	

¹⁾ Pressure shown = item deliverable

³⁾ L = light series; ⁴⁾ S = heavy series

$$\frac{\text{PN (bar)}}{10} = \text{PN (MPa)}$$

Delivery without nut and ring. Information on ordering complete fittings or alternative sealing materials see page 17.

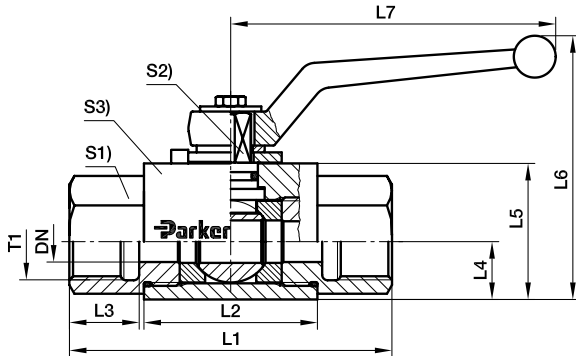
*Please add the **suffixes** below according to the material/surface required.

Order code suffixes			
Material	Suffix surface and material	Example	Standard sealing material (no additional suffix needed)
Stainless Steel	without	KH06L71X	POM / NBR

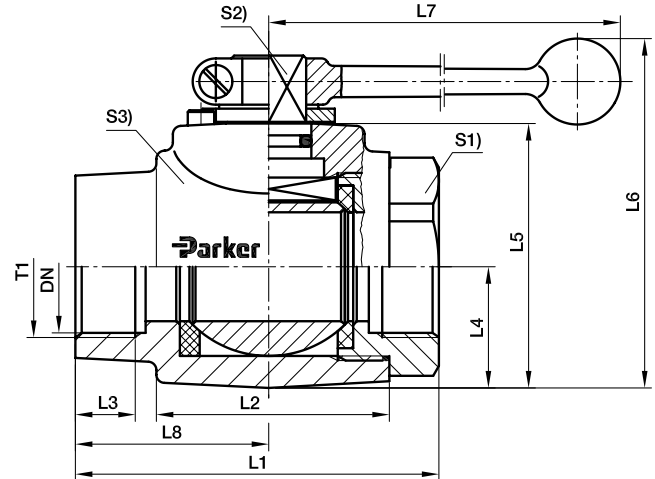
KH 2-way BSPP ball valve steel

Female BSPP thread (ISO 1179-1) / Female BSPP thread (ISO 1179-1)

DN 4-25



DN 32-40



T1	DN	L1	L2	L3	L4	L5	L6	L7	L8	S1	S2	S3	Weight g/1 piece	Order code*	PN (bar) ¹⁾
G 1/8	4	69	36.0	12.0	10.0	25	55.0	76	-	19	7	20	220	KH1/8X	500
G 1/4	6	69	36.0	12.0	10.0	25	55.0	76	-	19	7	20	210	KH1/4X	500
G 3/8	10	73	45.0	14.0	14.5	35	68.0	100	-	24	8	30	430	KH3/8X	500
G 1/2	12	82	51.0	15.0	17.0	40	92.0	112	-	30	10	35	670	KH1/2X	500
G 5/8	16	88	50.0	18.0	20.0	45	105.0	166	-	36	11	45	973	KH5/8X	400
G 3/4	20	93	60.0	18.0	24.0	55	113.0	187	-	41	14	45	1280	KH3/4X	400
G 1	25	113	70.0	20.0	26.0	60	118.0	187	-	50	14	55	1982	KH1X	400
G 1 1/4	32	110	70.0	20.0	36.5	80	180.5	320	58.5	60	17	73	2620	KH11/4X	315
G 1 1/4	25	134	70.0	20.0	26.0	60	118.0	187	-	50	14	55	2066	KH11/4DN25X	400
G 1 1/2	40	114	75.0	22.0	42.5	90	190.5	320	57.0	70	17	85	3989	KH11/2X	315
G 1 1/2	25	139	70.0	22.0	26.0	60	118.0	187	-	55	14	55	2200	KH11/2DN25X	400
G 2	50	129	91.5	27.5	49.5	104	180.0	320	65.0	85	17	99	5020	KH2X	400

¹⁾ Pressure shown = item deliverable

$$\frac{\text{PN (bar)}}{10} = \text{PN (MPa)}$$

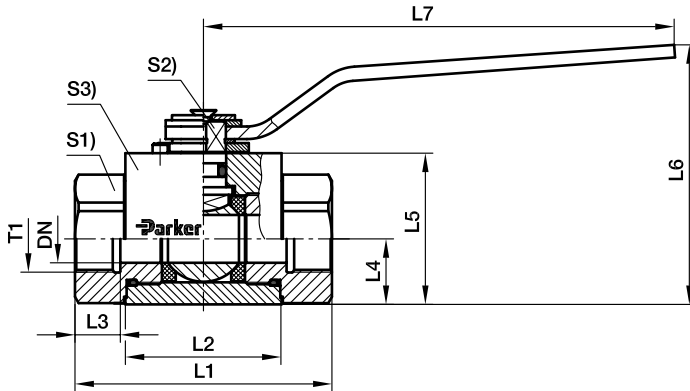
Delivery without nut and ring. Information on ordering complete fittings or alternative sealing materials see page 17.

Order code suffixes			
Material	Suffix surface and material	Example	Standard sealing material (no additional suffix needed)
Steel, zinc plated, Cr(VI)-free	CF	KH1/8CFX	POM / NBR
Steel	DIN 50938-FE//A/T4	KH1/8X	POM / NBR

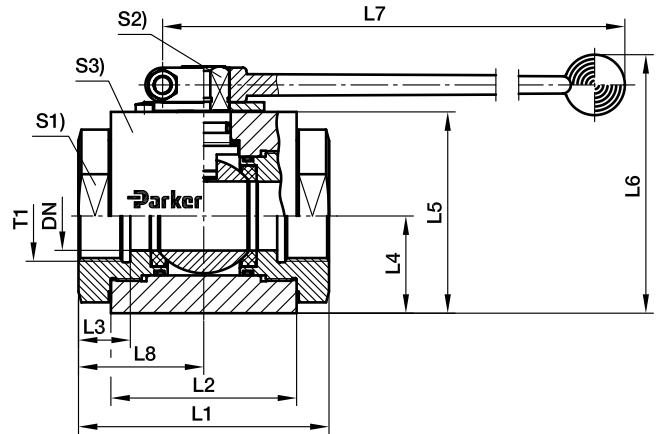
KH 2-way BSPP ball valve stainless steel

Female BSPP thread (ISO 1179-1) / Female BSPP thread (ISO 1179-1)

DN 4-25



DN 32-40



T1	DN	L1	L2	L3	L4	L5	L6	L7	L8	S1	S2	S3	Weight g/1 piece	Order code*	PN(bar) ¹⁾ 71
G 1/8	4	69	41	11	13.7	30.0	56.5	76	-	22	7	30	421	KH1/871X	500
G 1/4	6	75	41	14	13.7	30.0	56.5	76	-	22	7	30	422	KH1/471X	500
G 3/8	10	86	53	14	18.0	40.0	84.5	130	-	30	8	40	891	KH3/871X	500
G 1/2	12	92	55	16	21.0	45.0	90.0	130	-	32	10	45	1093	KH1/271X	500
G 3/4	20	111	65	18	31.0	65.0	115.0	185	-	46	14	65	1944	KH3/471X	420
G 1	25	122	71	20	38.0	75.0	125.0	185	-	50	14	75	2200	KH171X	420
G 1 1/4	32	110	86	24	45.0	93.2	175.0	320	55	70	19	100	5300	KH11/471X	420
G 1 1/2	40	120	92	26	52.2	104.4	186.0	320	60	80	19	110	7230	KH11/271X	420

¹⁾ Pressure shown = item deliverable

$$\frac{\text{PN (bar)}}{10} = \text{PN (MPa)}$$

Delivery without nut and ring. Information on ordering complete fittings or alternative sealing materials see page 17.

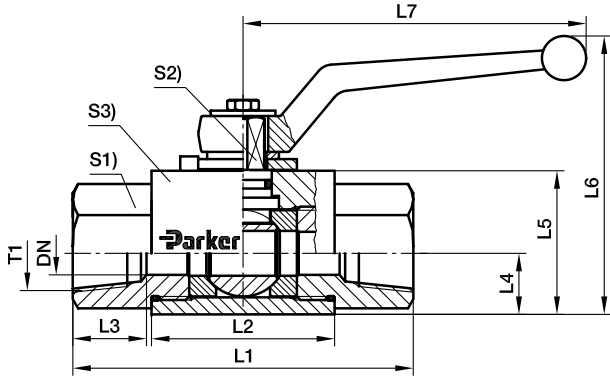
*Please add the **suffixes** below according to the material/surface required.

Order code suffixes			
Material	Suffix surface and material	Example	Standard sealing material (no additional suffix needed)
Stainless Steel	without	KH1/871X	POM / NBR

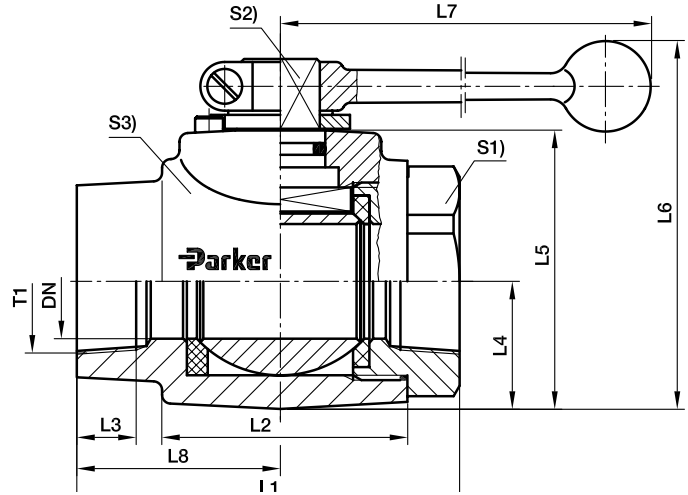
KH 2-way NPT ball valve steel

Female NPT thread (SAE 476) / Female NPT thread (SAE 476)

DN 4-25



DN 32-40



T1	DN	L1	L2	L3	L4	L5	L6	L7	L8	S1	S2	S3	Weight g/1 piece	Order code*	PN (bar) ¹⁾
1/8-27 NPT	4	69	36	7.0	10.0	25	55.0	76	-	19	7	20	225	KH1/8NPTX	500
1/4-18 NPT	6	69	36	10.0	10.0	25	55.0	76	-	19	7	20	210	KH1/4NPTX	500
3/8-18 NPT	10	73	45	10.4	14.5	35	68.0	100	-	24	8	30	430	KH3/8NPTX	500
1/2-14 NPT	12	82	51	13.6	17.0	40	92.0	112	-	30	10	35	670	KH1/2NPTX	500
3/4-14 NPT	20	93	60	14.0	24.0	55	113.0	187	-	41	14	45	1280	KH3/4NPTX	400
1-11.5 NPT	25	113	70	16.8	26.0	60	118.0	187	-	50	14	55	1970	KH1NPTX	400
1 1/4-11.5 NPT	32	110	70	17.3	36.5	80	180.5	320	58.5	60	17	73	3074	KH11/4NPTX	315
1 1/2-11.5 NPT	40	114	75	17.3	42.5	90	190.5	320	57.0	70	17	85	3976	KH11/2NPTX	315

¹⁾ Pressure shown = item deliverable

$$\frac{\text{PN (bar)}}{10} = \text{PN (MPa)}$$

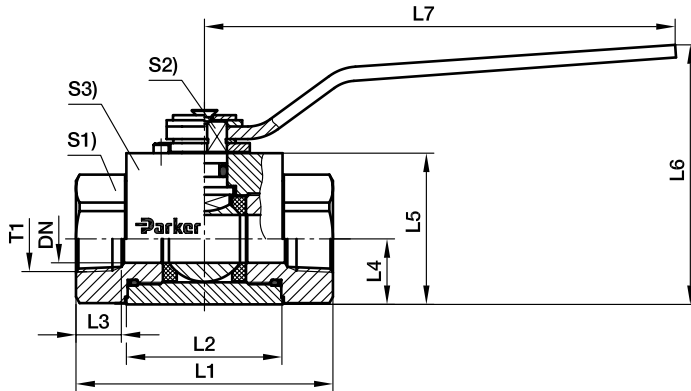
Delivery without nut and ring. Information on ordering complete fittings or alternative sealing materials see page 17.

Order code suffixes			
Material	Suffix surface and material	Example	Standard sealing material (no additional suffix needed)
Steel, zinc plated, Cr(VI)-free	CF	KH1/8NPTCFX	POM / NBR
Steel	DIN 50938-FE//A/T4	KH1/8NPTX	POM / NBR

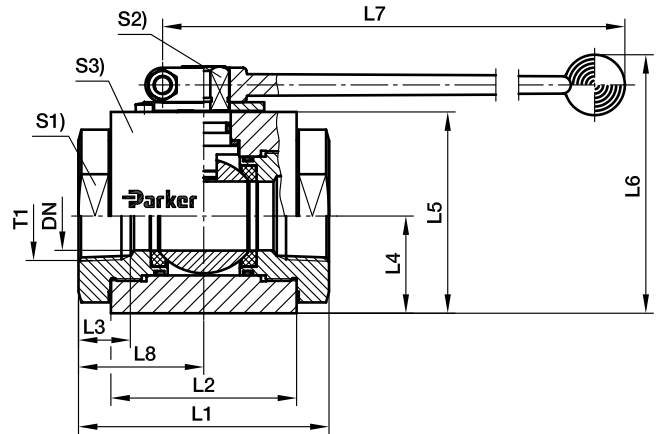
KH 2-way NPT ball valve stainless steel

Female NPT thread (SAE 476) / Female NPT thread (SAE 476)

DN 4-25



DN 32-40



T1	DN	L1	L2	L3	L4	L5	L6	L7	L8	S1	S2	S3	Weight g/1 piece	Order code*	PN (bar) ¹⁾ 71
1/8-27 NPT	4	82	41	6.9	13.7	30.0	56.5	76		22	7	30	461	KH1/8NPT71X	500
1/4-18 NPT	6	82	41	10.0	13.7	30.0	56.5	76		22	7	30	441	KH1/4NPT71X	500
3/8-18 NPT	10	95	53	10.3	18.0	40.0	84.5	130		30	8	40	943	KH3/8NPT71X	500
1/2-14 NPT	12	108	55	13.6	21.0	45.0	90.0	130		32	10	45	1177	KH1/2NPT71X	500
3/4-14 NPT	20	111	65	14.1	31.0	65.0	115.0	185		46	14	65	2054	KH3/4NPT71X	420
1-11.5 NPT	25	122	71	16.8	38.0	75.0	125.0	185		50	14	75	2451	KH1NPT71X	420
1 1/4-11.5 NPT	32	110	86	17.3	45.0	93.2	175.0	320	55	70	19	100	5300	KH11/4NPT71X	420
1 1/2-11.5 NPT	40	120	92	17.7	52.2	104.4	186.0	320	60	80	19	110	7230	KH11/2NPT71X	420

¹⁾ Pressure shown = item deliverable

$$\frac{\text{PN (bar)}}{10} = \text{PN (MPa)}$$

Delivery without nut and ring. Information on ordering complete fittings or alternative sealing materials see page 17.

*Please add the **suffixes** below according to the material/surface required.

Order code suffixes			
Material	Suffix surface and material	Example	Standard sealing material (no additional suffix needed)
Stainless steel	without	KH1/8NPT71X	POM / NBR