

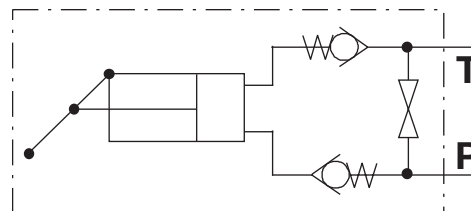
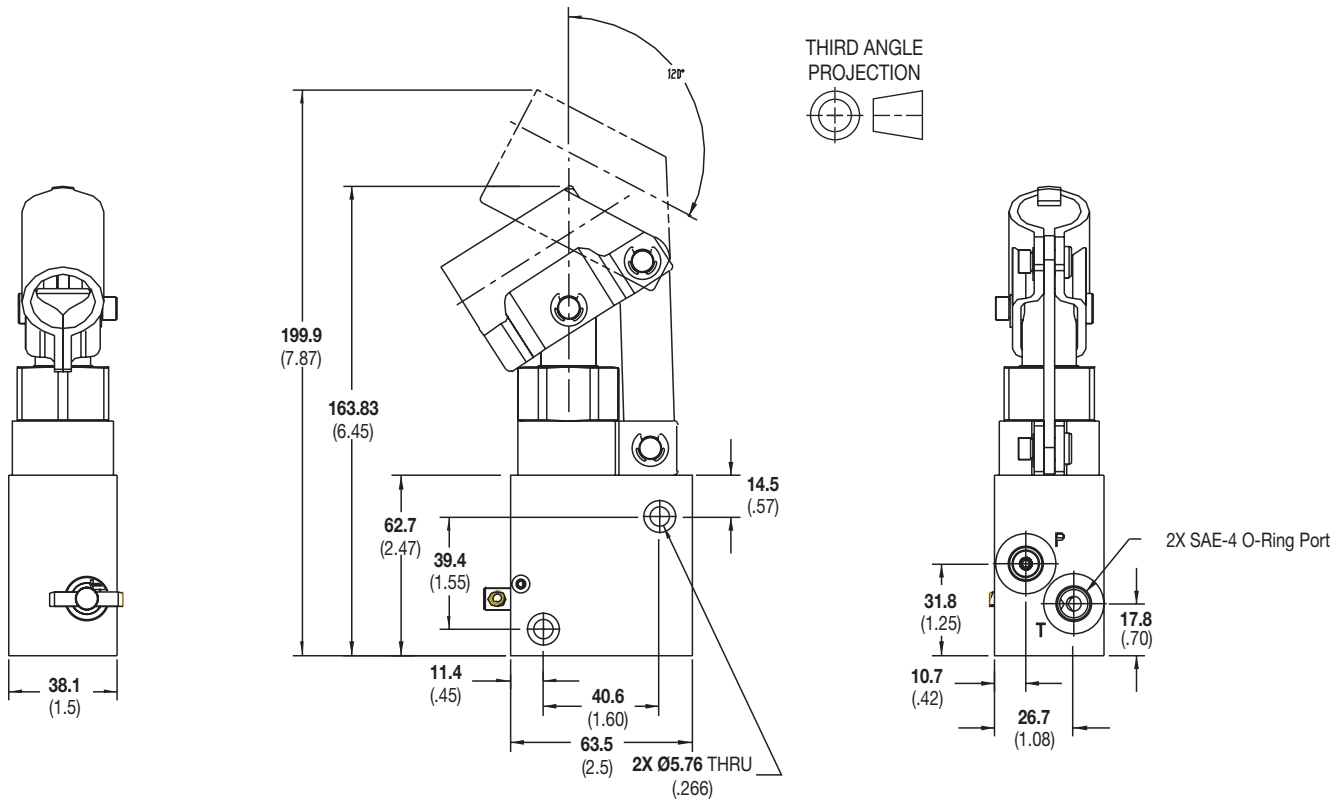
Oildyne

750 Series Hand Pumps for Single and Double Acting Cylinder Applications

Pressure to 172 bar (2500 psi)



Hand Pump Dimensions



Circuit

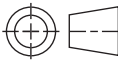
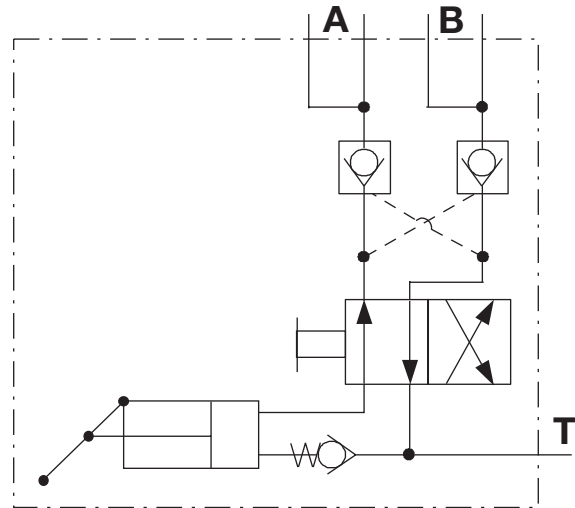
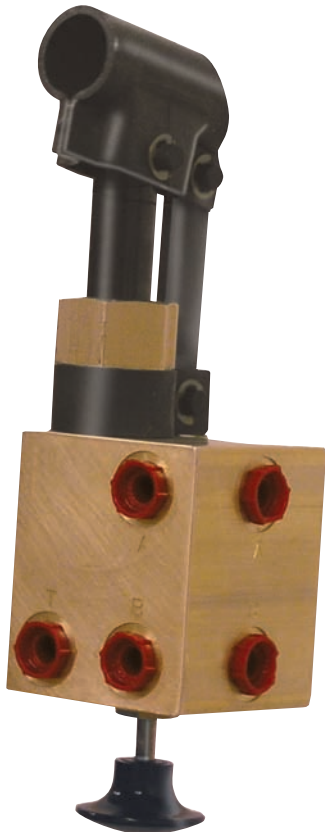
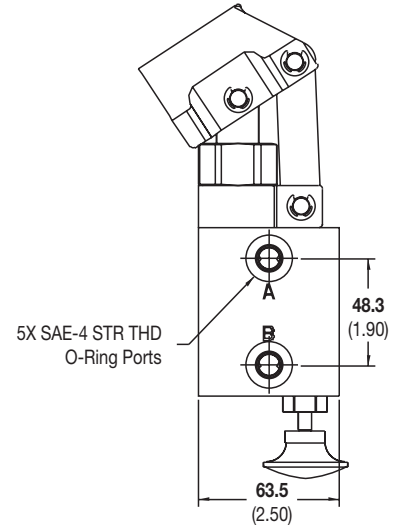
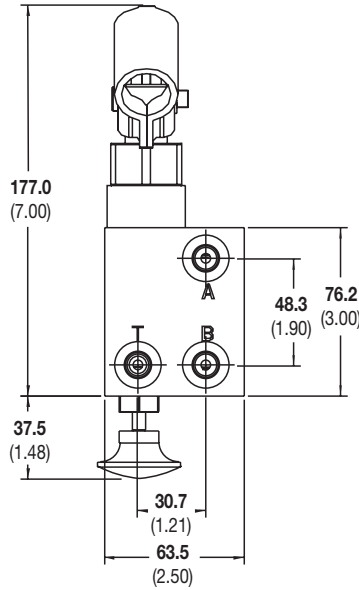
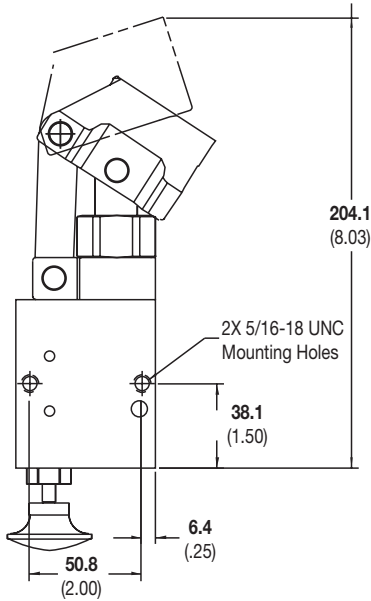
Model 750-1 Hand Pump

- 8.2 cc/Stroke (.5 in³/Stroke)
- Suitable for use in Single Acting Cylinder circuits
- Metering release valve for controlled return of fluid

Note: Specifications subject to change without notice.

Hand Pump Dimensions

THIRD ANGLE
 PROJECTION

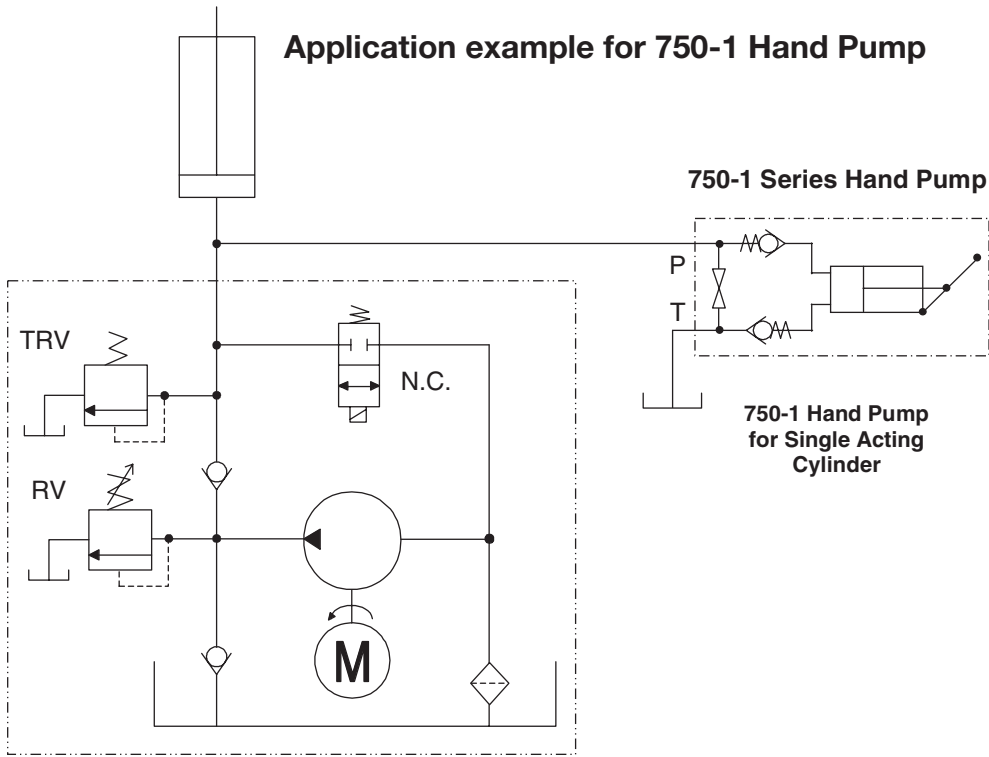
Circuit

Model 750-2 Hand Pump

- 8.2 cc/Stroke (.5 in³/Stroke)
- Suitable for use in Double Acting Cylinder circuits
- Integral double pilot operated check valves (with soft face seal poppets) hold the load and isolate the hand pump when not in use

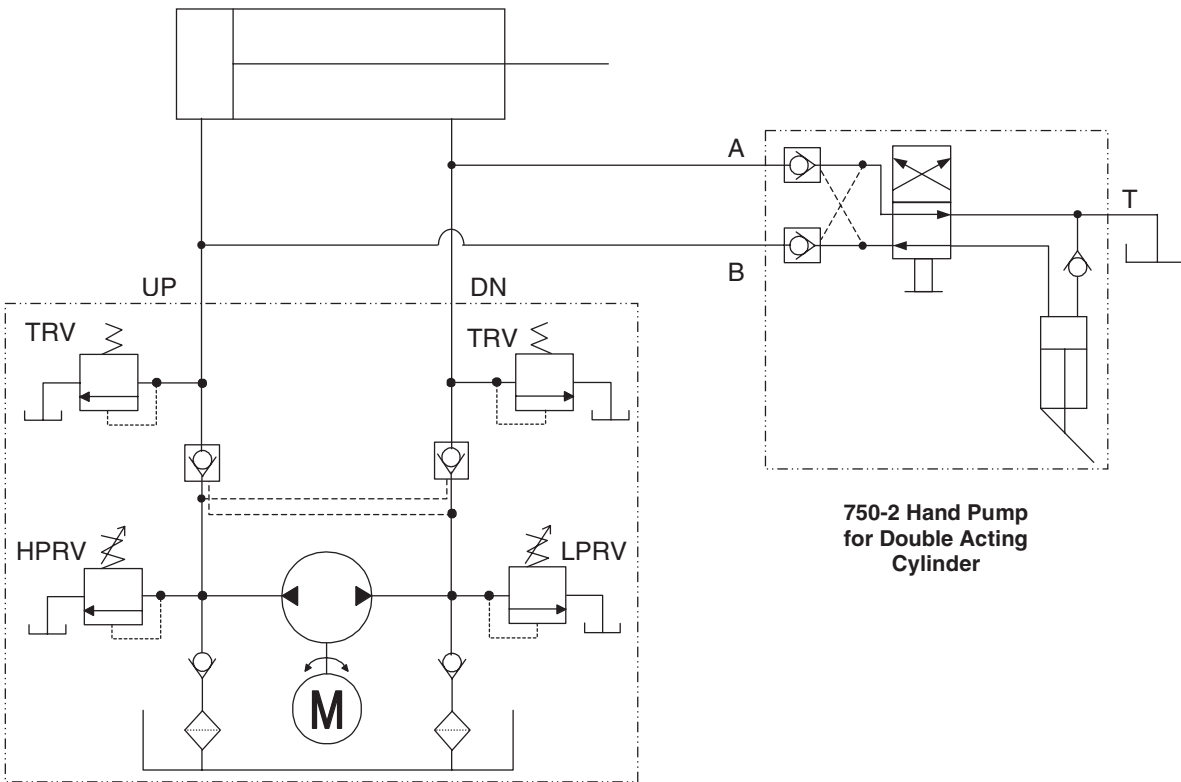
Note: Specifications subject to change without notice.

Application example for 750-1 Hand Pump



108/165 Series Single Direction with 2-way valve

Application example for 750-2 Hand Pump



750-2 Hand pump used with a reversible locking power unit