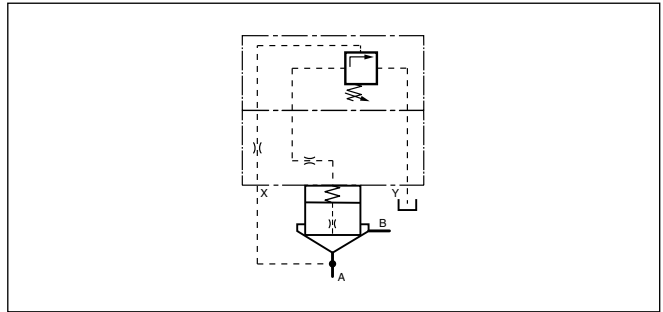
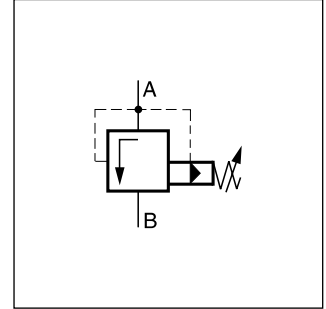


The pilot operated pressure relief valves series DSDU limit the system pressure by opening the pressure port to tank. They are mostly used for accumulator pressure relief. The valve is set and sealed by the German technical monitoring association TÜV. The valve delivery includes a copy of the TÜV certificate of conformity.

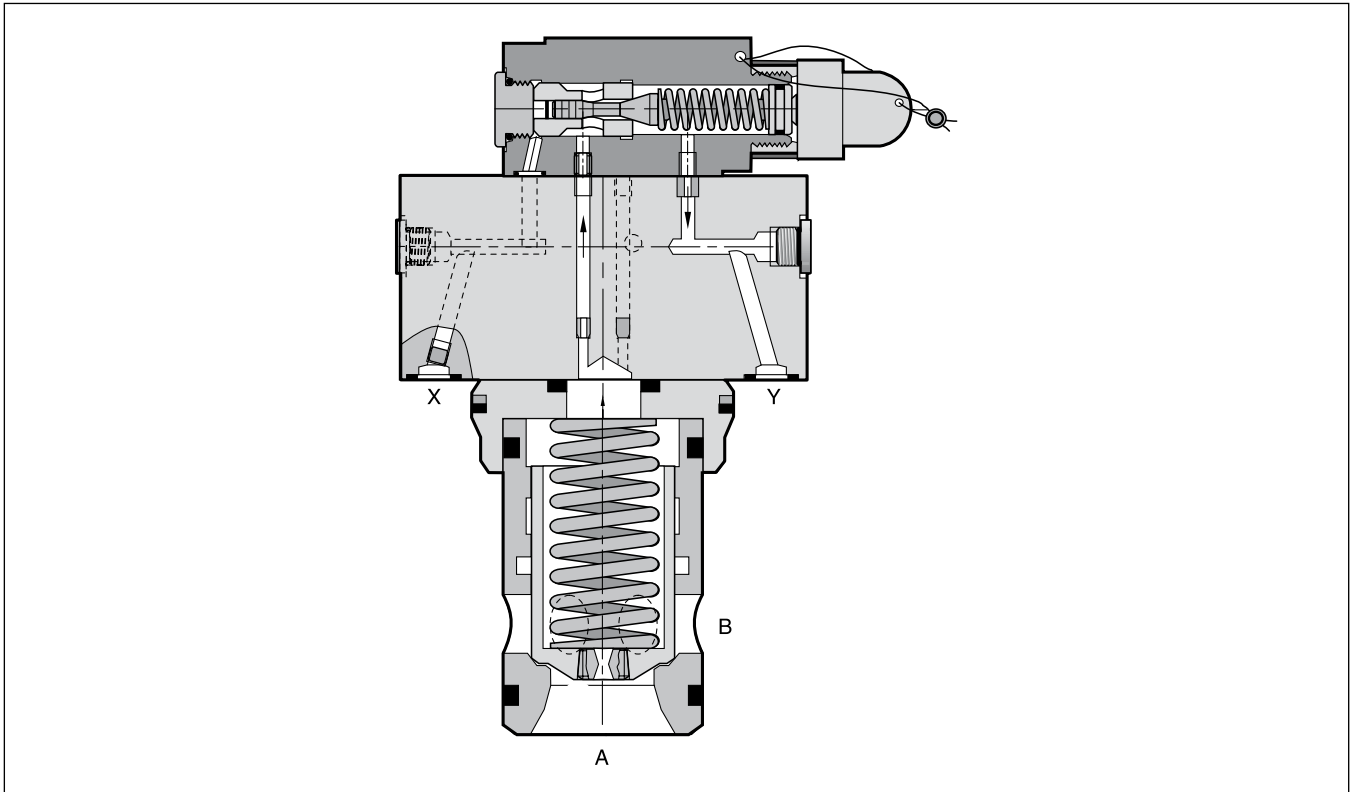
Features

- TÜV certificate
- CE certification (module G) according to directive 97/23/EC
- Installation cavity and mounting pattern according to ISO 7368
- 3 sizes, NG16 to NG32
- Remote control via port X

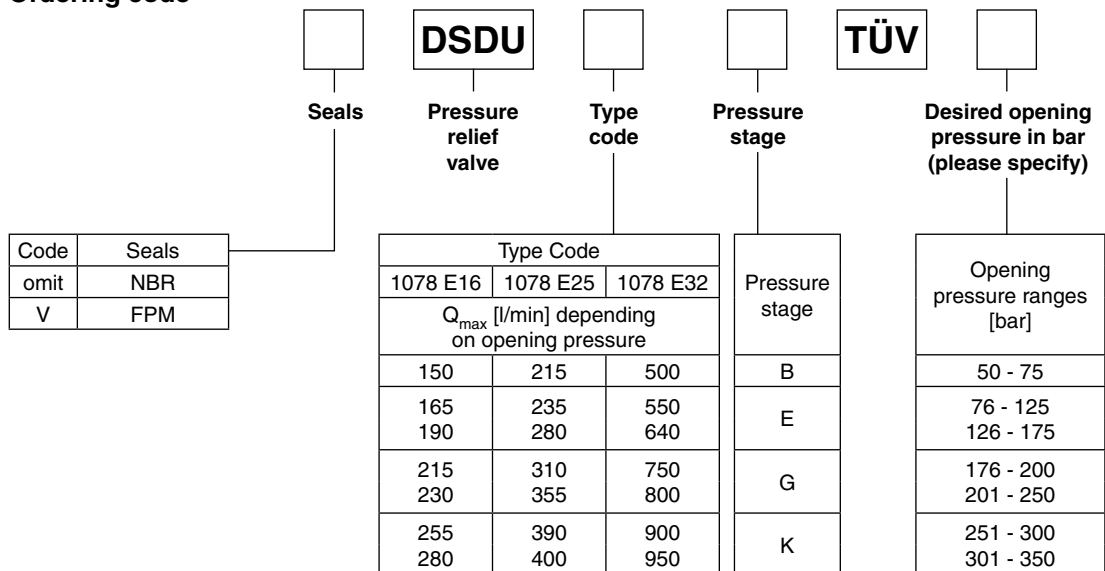


Detailed symbol

8



Ordering code



Ordering examples

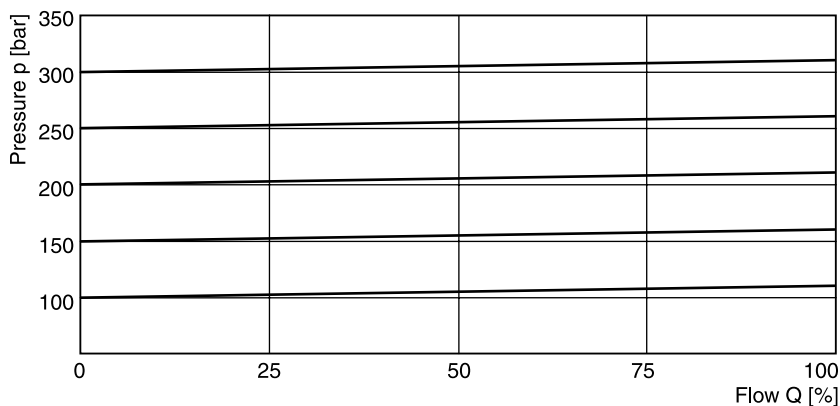
DSDU 1078 E32E - 120 bar matches Q_{max} 550 l/min, opening pressure 120 bar

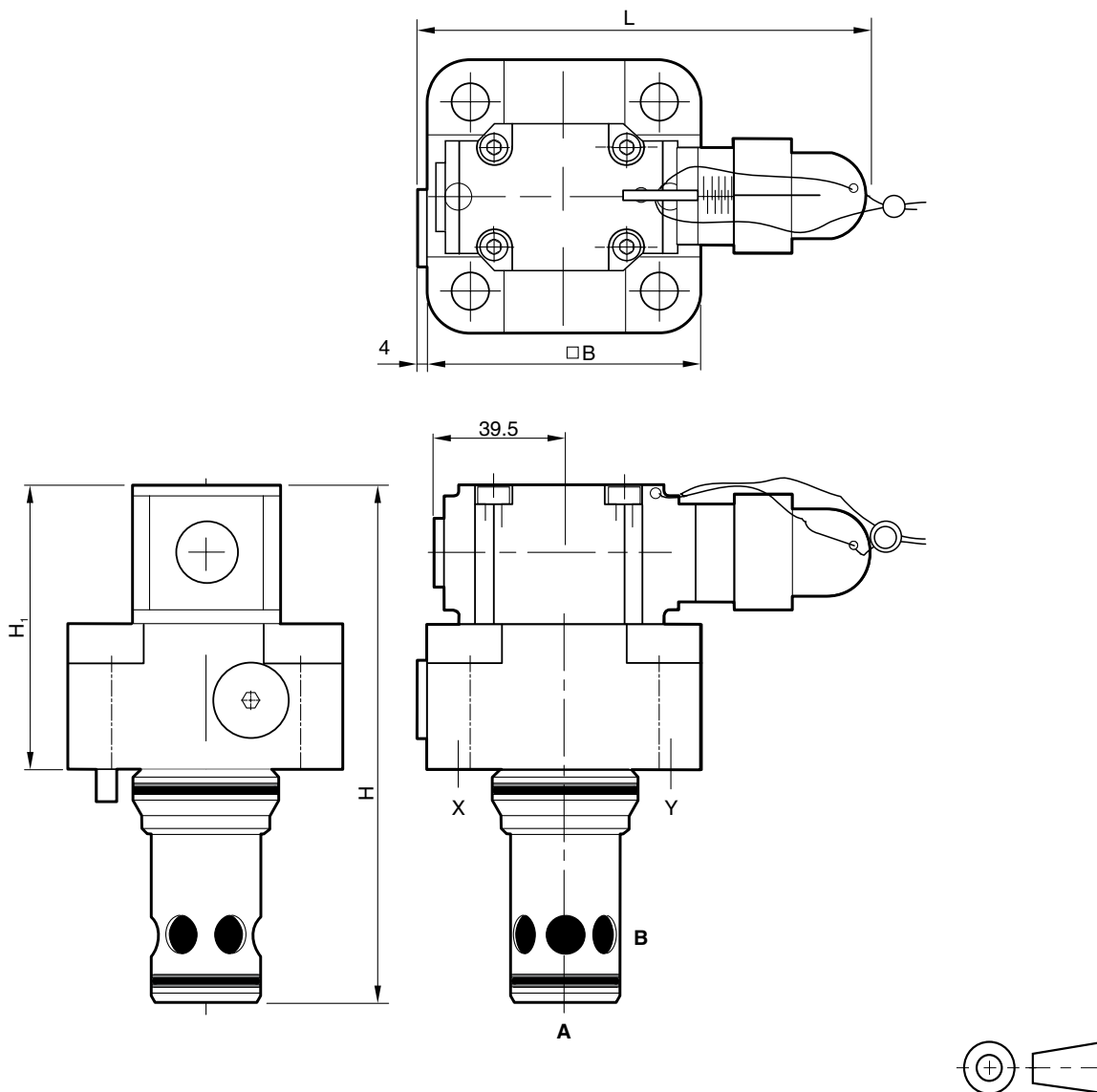
DSDU 1078 E32E - 150 bar matches Q_{max} 640 l/min, opening pressure 150 bar

Technical data

General				
Size		NG16	NG25	NG32
Interface		Slip-in mounting according to ISO 7368		
Mounting position		as desired, horizontal mounting preferred		
Ambient temperature	[°C]	-20...+60		
MTTF _D value	[years]	150		
Weight	[kg]	2.2	3.5	4.9
Hydraulic				
Max. operating pressure	[bar]	Ports A and X 350, B and Y depressurized		
Pilot oil		External / external		
Adjustment pressure	[bar]	See ordering code		
Nominal flow	[l/min]	See ordering code		
Fluid		Hydraulic oil according to DIN 51524		
Fluid temperature	[°C]	-20...+70 (NBR: -25...+70)		
Viscosity, permitted	[cSt] / [mm ² /s]	20...400		
Viscosity, recommended	[cSt] / [mm ² /s]	30...80		
Filtration		ISO 4406 (1999); 18/16/13		




p/Q curve





8

NG	H	H ₁	B	L
16	140	84	79 *	142
25	160	88	85	135
32	178	93	102	143

NG	Kit	 ISO 4762-12.9	 [Nm]	 Kit	
				NBR	FPM
16	BK414	4 x M8x40	31.8	SK-DSDU10-E16	SK-DSDU10-E16V
25	BK391	4 x M12x50	108	SK-DSDU10-E25	SK-DSDU10-E25V
32	BK415	4 x M16x55	264	SK-DSDU10-E32	SK-DSDU10-E32V

* Width 65 mm.