

P1D-L Rod Locking Cylinders

P1D-L is a series of extremely compact rod lock cylinders for demanding applications. This version allows the piston rod to be locked in any position but can also be used as a brake (limits apply) thanks to the rigid design. With helical grooves on the precision clamping sleeves the locking function allows for applications where the piston rod is exposed to liquids and contamination.

- Available in 32 to 125 mm bores
- PUR seals for long service life
- Drop-in sensors
- Corrosion resistant design
- Magnetic piston as standard
- Full range of ISO mountings
- Lubricated with food grade grease



Operating information - P1D-L

Working pressure:	Max 10 bar
Working temperature:	-20°C to +80°C
Release pressure ¹⁾	Min 4 bar

¹⁾ Signal pressure to inlet port of lock unit

For more information see www.parker.com/euro_pneumatic

P1D-L - Dynamic Rod Lock

Ø32mm - (G¹/₈)

Stroke mm	Order code
25	P1D-L032MC-0025
40	P1D-L032MC-0040
50	P1D-L032MC-0050
80	P1D-L032MC-0080
100	P1D-L032MC-0100
125	P1D-L032MC-0125
160	P1D-L032MC-0160
200	P1D-L032MC-0200
250	P1D-L032MC-0250
320	P1D-L032MC-0320
400	P1D-L032MC-0400
500	P1D-L032MC-0500

Ø40mm - (G¹/₄)

Stroke mm	Order code
25	P1D-L040MC-0025
40	P1D-L040MC-0040
50	P1D-L040MC-0050
80	P1D-L040MC-0080
100	P1D-L040MC-0100
125	P1D-L040MC-0125
160	P1D-L040MC-0160
200	P1D-L040MC-0200
250	P1D-L040MC-0250
320	P1D-L040MC-0320
400	P1D-L040MC-0400
500	P1D-L040MC-0500

Ø50mm - (G¹/₄)

Stroke mm	Order code
25	P1D-L050MC-0025
40	P1D-L050MC-0040
50	P1D-L050MC-0050
80	P1D-L050MC-0080
100	P1D-L050MC-0100
125	P1D-L050MC-0125
160	P1D-L050MC-0160
200	P1D-L050MC-0200
250	P1D-L050MC-0250
320	P1D-L050MC-0320
400	P1D-L050MC-0400
500	P1D-L050MC-0500

Ø63mm - (G³/₈)

Stroke mm	Order code
25	P1D-L063MC-0025
40	P1D-L063MC-0040
50	P1D-L063MC-0050
80	P1D-L063MC-0080
100	P1D-L063MC-0100
125	P1D-L063MC-0125
160	P1D-L063MC-0160
200	P1D-L063MC-0200
250	P1D-L063MC-0250
320	P1D-L063MC-0320
400	P1D-L063MC-0400
500	P1D-L063MC-0500

Ø80mm - (G³/₈)

Stroke mm	Order code
25	P1D-L080MS-0025
40	P1D-L080MC-0040
50	P1D-L080MC-0050
80	P1D-L080MC-0080
100	P1D-L080MC-0100
125	P1D-L080MC-0125
160	P1D-L080MC-0160
200	P1D-L080MC-0200
250	P1D-L080MC-0250
320	P1D-L080MC-0320
400	P1D-L080MC-0400
500	P1D-L080MC-0500

Ø100mm - (G¹/₂)

Stroke mm	Order code
25	P1D-L100MC-0025
40	P1D-L100MC-0040
50	P1D-L100MC-0050
80	P1D-L100MC-0080
100	P1D-L100MC-0100
125	P1D-L100MC-0125
160	P1D-L100MC-0160
200	P1D-L100MC-0200
250	P1D-L100MC-0250
320	P1D-L100MC-0320
400	P1D-L100MC-0400
500	P1D-L100MC-0500

Ø125mm - (G¹/₂)

Stroke mm	Order code
25	P1D-L125MC-0025
40	P1D-L125MC-0040
50	P1D-L125MC-0050
80	P1D-L125MC-0080
100	P1D-L125MC-0100
125	P1D-L125MC-0125
160	P1D-L125MC-0160
200	P1D-L125MC-0200
250	P1D-L125MC-0250
320	P1D-L125MC-0320
400	P1D-L125MC-0400
500	P1D-L125MC-0500

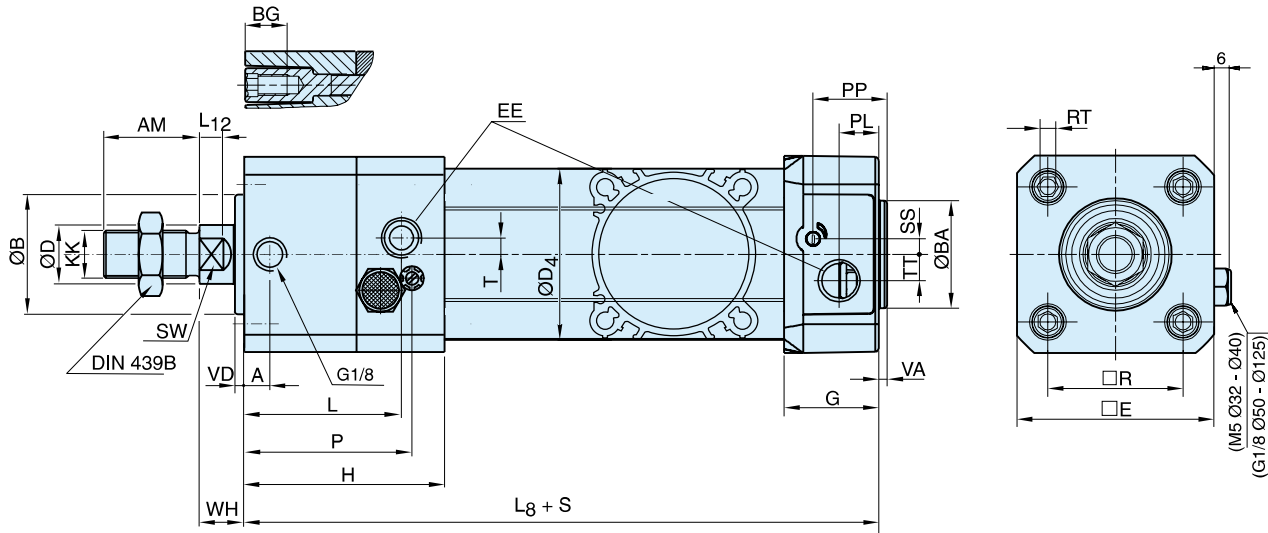
The cylinders are supplied complete with a zinc plated steel piston rod nut.

Sensors



For sensors see page 77.

P1D-L Series



Dimensions

Cylinder bore mm	A mm	AM mm	B mm	BA mm	BG mm	D mm	D4 mm	E mm	EE mm	G mm	H mm	KK mm	L mm
32	18,5	22	30	30	16	12	45,0	50,0	G1/8	28,5	71,0	M10x1,25	53,0
40	20,0	24	35	35	16	16	52,0	57,4	G1/4	33,0	76,5	M12x1,25	56,0
50	21,0	32	40	40	16	20	60,7	69,4	G1/4	33,5	80,0	M16x1,5	65,0
63	30,0	32	45	45	16	20	71,5	82,4	G3/8	39,5	96,0	M16x1,5	76,5
80	35,0	40	45	45	17	25	86,7	99,4	G3/8	39,5	110,0	M20x1,5	89,0
100	54,0	40	55	55	17	25	106,7	116,0	G1/2	44,5	132,0	M20x1,5	112,0
125	65,5	54	60	60	20	32	134,0	139,0	G1/2	51,0	144,5	M27x2	124,5

Cylinder bore mm	L8 mm	L12 mm	P mm	PL mm	PP mm	R mm	RT	SS mm	SW mm	T mm	TT mm	VA mm	VD mm	WH mm
32	137	6,0	63,0	13,0	21,8	32,5	M6	4,0	10	4,5	4,5	3,5	4,5	15
40	149	6,5	67,5	14,0	21,9	38,0	M6	8,0	13	3,0	5,5	3,5	4,5	16
50	153	8,0	71,0	14,0	23,0	46,5	M8	4,0	17	5,5	7,5	3,5	5,0	17
63	178	8,0	87,0	16,4	27,4	56,5	M8	6,5	17	3,0	11,0	3,5	5,0	17
80	199	10,0	101,0	16,0	30,5	72,0	M10	0	22	6,0	15,0	3,5	4,0	20
100	226	14,0	122,0	18,0	35,8	89,0	M10	0	22	6,0	20,0	3,5	4,0	20
125	254	18,0	134,5	28,0	40,5	110,0	M12	0	27	6,0	17,5	5,5	6,0	27

S=Stroke

Tolerances

Cylinder bore mm	B	BA mm	L ₈ mm	L ₉ mm	R mm	Stroke tolerance up to stroke 500 mm	Stroke tolerance for stroke over 500 mm
32	d11	d11	±0,4	±2	±0,5	+0,3/+2,0	+0,3/+3,0
40	d11	d11	±0,7	±2	±0,5	+0,3/+2,0	+0,3/+3,0
50	d11	d11	±0,7	±2	±0,6	+0,3/+2,0	+0,3/+3,0
63	d11	d11	±0,8	±2	±0,7	+0,3/+2,0	+0,3/+3,0
80	d11	d11	±0,8	±3	±0,7	+0,3/+2,0	+0,3/+3,0
100	d11	d11	±1,0	±3	±0,7	+0,3/+2,0	+0,3/+3,0
125	d11	d11	±1,0	±3	±1,1	+0,3/+2,0	+0,3/+3,0

For mountings refer to page 29.