



P1A Pneumatic Mini ISO Cylinders

According to ISO 6432



The P1A range of cylinders is intended for use in a wide range of applications. The cylinders are particularly suitable for lighter duties in the packaging, food and textile industries.

Hygienic design, the use of corrosion-resistant materials and initial lubrication with our food-grade grease makes the cylinders suitable for food industry applications.

- **Mini cylinder according to ISO 6432**
- **Available in 10 to 25 mm bores**
- **Corrosion resistant design and low weight construction**
- **Magnetic piston as standard**
- **End stroke buffers for long service life**



Careful design and high quality manufacture throughout ensure long service life and optimum economy.

Mounting dimensions fully in accordance with ISO 6432 and CETOP RP52P greatly simplifies installation and world-wide interchangeability.



- Mini cylinder according to ISO 6432
- Available in 10 to 25 mm bores
- Corrosion resistant design and low weight construction
- Magnetic piston as standard
- End stroke buffers for long service life

Operating information

Working pressure: Max 10 bar
Temperature range: -20°C to +80°C Ø10-25mm

Prelubricated, further lubrication is not normally necessary. If additional lubrication is introduced it must be continued.

For more information see www.parker.com/euro_pneumatic

Double acting buffer cushioning

Ø10mm - (M5)

Stroke mm	Order code
10	P1A-S010DS-0010
15	P1A-S010DS-0015
25	P1A-S010DS-0025
30	P1A-S010DS-0030
40	P1A-S010DS-0040
50	P1A-S010DS-0050
80	P1A-S010DS-0080
100	P1A-S010DS-0100
125	P1A-S010DS-0125

Ø12mm - (M5)

Stroke mm	Order code
10	P1A-S012DS-0010
15	P1A-S012DS-0015
25	P1A-S012DS-0025
30	P1A-S012DS-0030
40	P1A-S012DS-0040
50	P1A-S012DS-0050
80	P1A-S012DS-0080
100	P1A-S012DS-0100
125	P1A-S012DS-0125
160	P1A-S012DS-0160
200	P1A-S012DS-0200

Ø16mm - (M5)

Stroke mm	Order code
10	P1A-S016DS-0010
15	P1A-S016DS-0015
25	P1A-S016DS-0025
30	P1A-S016DS-0030
40	P1A-S016DS-0040
50	P1A-S016DS-0050
80	P1A-S016DS-0080
100	P1A-S016DS-0100
125	P1A-S016DS-0125
160	P1A-S016DS-0160
200	P1A-S016DS-0200

Ø20mm - (G1/8)

Stroke mm	Order code
10	P1A-S020DS-0010
15	P1A-S020DS-0015
25	P1A-S020DS-0025
30	P1A-S020DS-0030
40	P1A-S020DS-0040
50	P1A-S020DS-0050
80	P1A-S020DS-0080
100	P1A-S020DS-0100
125	P1A-S020DS-0125
160	P1A-S020DS-0160
200	P1A-S020DS-0200
250	P1A-S020DS-0250
320	P1A-S020DS-0320

Ø25mm - (G1/8)

Stroke mm	Order code
10	P1A-S025DS-0010
15	P1A-S025DS-0015
25	P1A-S025DS-0025
30	P1A-S025DS-0030
40	P1A-S025DS-0040
50	P1A-S025DS-0050
80	P1A-S025DS-0080
100	P1A-S025DS-0100
125	P1A-S025DS-0125
160	P1A-S025DS-0160
200	P1A-S025DS-0200
250	P1A-S025DS-0250
320	P1A-S025DS-0320

Cylinders are supplied complete with neck mounting and piston rod nuts.

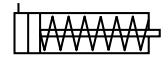
Cylinders with Through piston rods are supplied with two piston rod nuts and one neck mounting nut.

Sensors



For sensors see page 78.

Single acting push type (Spring return for retracted stroke)



Ø10mm - (M5)

Stroke mm	Order code
10	P1A-S010SS-0010
15	P1A-S010SS-0015
25	P1A-S010SS-0025
40	P1A-S010SS-0040
50	P1A-S010SS-0050
80	P1A-S010SS-0080

Ø16mm - (M5)

Stroke mm	Order code
10	P1A-S016SS-0010
15	P1A-S016SS-0015
25	P1A-S016SS-0025
40	P1A-S016SS-0040
50	P1A-S016SS-0050
80	P1A-S016SS-0080

Ø25mm - (G1/8)

Stroke mm	Order code
10	P1A-S025SS-0010
15	P1A-S025SS-0015
25	P1A-S025SS-0025
40	P1A-S025SS-0040
50	P1A-S025SS-0050
80	P1A-S025SS-0080

Ø12mm - (M5)

Stroke mm	Order code
10	P1A-S012SS-0010
15	P1A-S012SS-0015
25	P1A-S012SS-0025
40	P1A-S012SS-0040
50	P1A-S012SS-0050
80	P1A-S012SS-0080

Ø20mm - (G1/8)

Stroke mm	Order code
10	P1A-S020SS-0010
15	P1A-S020SS-0015
25	P1A-S020SS-0025
50	P1A-S020SS-0050
80	P1A-S020SS-0080

Single acting pull type (Spring extended for advanced stroke)



Ø16mm - (M5)

Stroke mm	Order code
10	P1A-S016TS-0010
15	P1A-S016TS-0015
25	P1A-S016TS-0025
40	P1A-S016TS-0040
50	P1A-S016TS-0050

Ø20mm - (G1/8)

Stroke mm	Order code
10	P1A-S020TS-0010
15	P1A-S020TS-0015
25	P1A-S020TS-0025
50	P1A-S020TS-0050
80	P1A-S020TS-0080

Ø25mm - (G1/8)

Stroke mm	Order code
10	P1A-S025TS-0010
15	P1A-S025TS-0015
25	P1A-S025TS-0025
40	P1A-S025TS-0040
50	P1A-S025TS-0050
80	P1A-S025TS-0080

Double acting adjustable cushioning

Effective cushioning

The Mini ISO range is available with fixed end cushioning or with adjustable pneumatic cushioning, controlled by simple bleed screws for fine adjustment. The adjustable cushioned cylinders can be operated with higher mass loads and at higher speeds than those with fixed end cushioning, reducing overall cycle times.



Ø16mm - (M5)

Stroke mm	Order code
20	P1A-S016MS-0020
25	P1A-S016MS-0025
30	P1A-S016MS-0030
40	P1A-S016MS-0040
50	P1A-S016MS-0050
80	P1A-S016MS-0080
100	P1A-S016MS-0100
125	P1A-S016MS-0125
160	P1A-S016MS-0160
200	P1A-S016MS-0200

Ø20mm - (G1/8)

Stroke mm	Order code
20	P1A-S020MS-0020
25	P1A-S020MS-0025
30	P1A-S020MS-0030
50	P1A-S020MS-0050
80	P1A-S020MS-0080
100	P1A-S020MS-0100
125	P1A-S020MS-0125
160	P1A-S020MS-0160
200	P1A-S020MS-0200
250	P1A-S020MS-0250
320	P1A-S020MS-0320

Ø25mm - (G1/8)

Stroke mm	Order code
20	P1A-S025MS-0020
25	P1A-S025MS-0025
30	P1A-S025MS-0030
40	P1A-S025MS-0040
50	P1A-S025MS-0050
80	P1A-S025MS-0080
100	P1A-S025MS-0100
125	P1A-S025MS-0125
160	P1A-S025MS-0160
200	P1A-S025MS-0200
250	P1A-S025MS-0250
320	P1A-S025MS-0320

Design Variants

Working temperatures

High temperature

Ø12 and 16mm -10°C to +120°C Non-magnetic piston
 Ø20 and 25mm -10°C to +150°C Non-magnetic piston

External seals

fluorinated rubber -20°C to +80°C Magnetic piston



Double acting options

Double-acting adjustable cushioning Ø16 - Ø25 (not for seal material type F)

Double-acting non-adjustable cushioning Ø10 - Ø25



Double-acting, adjustable cushioning through rod Ø16 - Ø25 (not for seal material type F)

Double-acting, non-adjustable cushioning through rod Ø10 - Ø25



Single acting options

Single-acting, Spring return for retracted stroke. Non-adjustable cushioning Ø10 - Ø25

Single-acting, Spring extended for advanced stroke. Non-adjustable cushioning Ø16 - Ø25



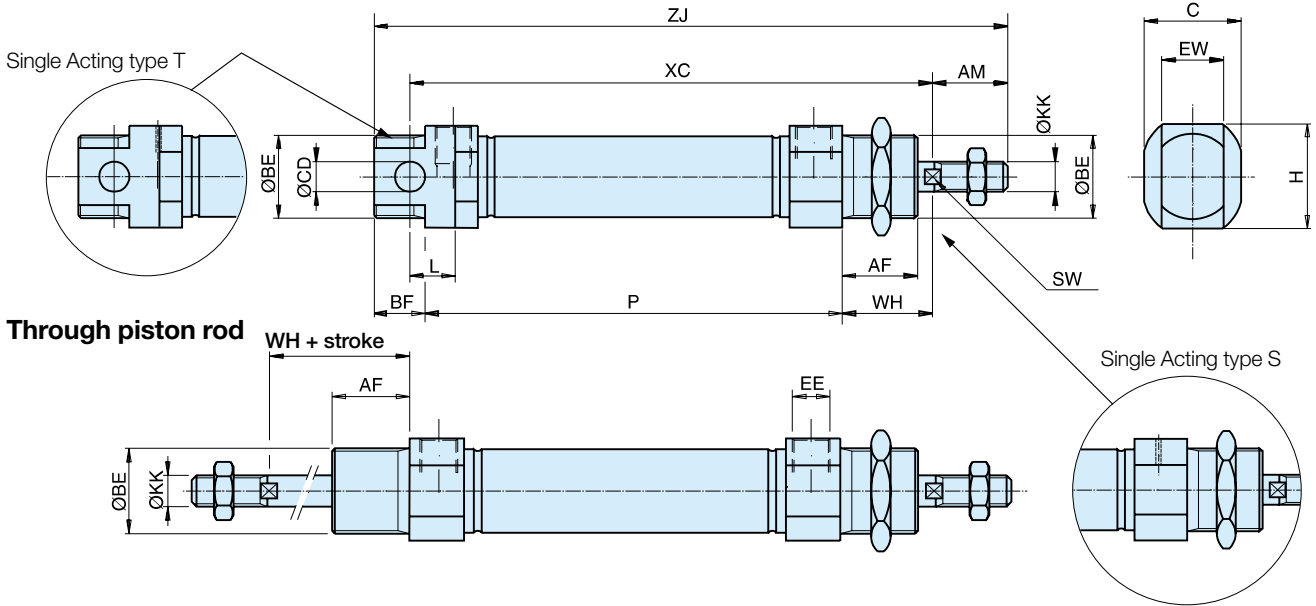
"U" style rod guidance modules, plain bearings

The P1A series cylinders can be equipped with an external guiding device to prevent the piston rod from turning. When fitted the guide provides a guided piston movement enabling the cylinder to resist turning moments on the piston rod, as well as greater transverse forces.



Dimensions

Double and single acting cylinders



Cylinder bore mm	AM 0/-2 mm	BE	AF mm	BF mm	C mm	CDH9 mm	EE	EW mm	H mm	KK	L mm	SW mm	WH±1,2 mm
10	12	M12x1,25	12	10	13,0	4	M5	8	13,0	M4	6	-	16
12	16	M16x1,5	18	13	17,8	6	M5	12	17,8	M6	9	5	22
16 ¹⁾	16	M16x1,5	18	13	17,8	6	M5	12	17,8	M6	9	5	22
16 ²⁾	16	M16x1,5	18	13	23,8	6	M5	12	23,8	M6	9	5	22
20	20	M22x1,5	20	14	23,8	8	G1/8	16	23,8	M8	12	7	24
25	22	M22x1,5	22	14	26,8	8	G1/8	16	26,8	M10x1,25	12	9	28

1) P1A-S016DS/SS/TS

2) P1A-S016MS

Double acting cylinders

Cylinder bore mm	XC mm	ZJ mm	P mm
10	64 + stroke	84 + stroke	46 + stroke
12	75 + stroke	99 + stroke	48 + stroke
16	82 + stroke	104 + stroke	53 + stroke
20	95 + stroke	125 + stroke	67 + stroke
25	104 + stroke	132 + stroke	68 + stroke

Single-acting, spring return, type SS

Stroke/ Cylinder bore mm	10 XC mm	15 XC mm	25 XC mm	40 XC mm	50 XC mm	80 XC mm	10 ZJ mm	15 ZJ mm	25 ZJ mm	40 ZJ mm	50 ZJ mm	80 ZJ mm	10 P mm	15 P mm	25 P mm	40 P mm	50 P mm	80 P mm
10	74	79	89	126	136	174	94	99	109	146	156	194	56	61	71	108	118	156
12	85	90	100	132	142	185	109	114	124	156	166	209	58	63	73	105	115	158
16	92	97	107	122	132	184	114	119	129	144	154	206	63	68	78	93	103	155
20	105	110	120	135	145	191	135	140	150	165	175	221	77	82	92	107	117	163
25	114	119	129	144	154	201	142	147	157	172	182	229	78	83	93	108	118	165

Single-acting, spring-extended, type TS

Stroke/ Cylinder bore mm	10 XC ³⁾ mm	15 XC ³⁾ mm	25 XC ³⁾ mm	40 XC ³⁾ mm	50 XC ³⁾ mm	80 XC ³⁾ mm	10 ZJ ³⁾ mm	15 ZJ ³⁾ mm	25 ZJ ³⁾ mm	40 ZJ ³⁾ mm	50 ZJ ³⁾ mm	80 ZJ ³⁾ mm	10 P mm	15 P mm	25 P mm	40 P mm	50 P mm	80 P mm
16	107	112	122	137	147	-	129	134	144	159	169	-	78	83	93	108	118	-
20	120	125	135	150	160	195	150	155	165	180	190	225	92	97	107	122	132	167
25	129	134	144	159	169	205	157	162	172	187	197	233	93	98	108	123	133	169

3) With piston rod retracted, as shown in the dimension drawing

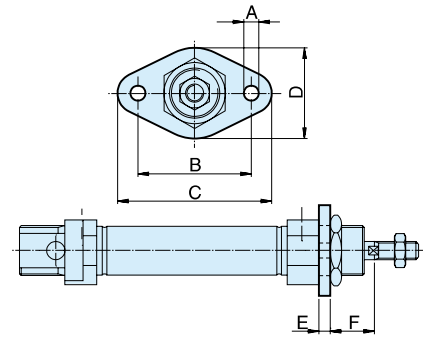
Length tolerances ±1 mm

Stroke length tolerances +1,5/0 mm

Cylinder Mountings

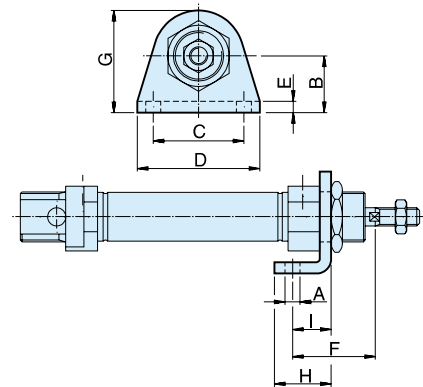
Flange-MF8

Cylinder Ø mm	A mm	B mm	C mm	D mm	E mm	F mm	Order code
10	4,5	30	40	22	3	13	P1A-4CMB
12	5,5	40	52	30	4	18	P1A-4DMB
16	5,5	40	52	30	4	18	P1A-4DMB
20	6,6	50	66	40	5	19	P1A-4HMB
25	6,6	50	66	40	5	23	P1A-4HMB



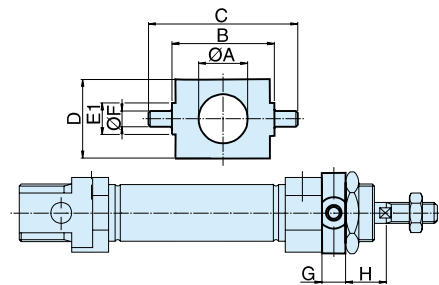
Foot-MS3

Cylinder Ø mm	A mm	B mm	C mm	D mm	E mm	F mm	G mm	H mm	I mm	Order code
10	4,5	16	25	35	3	24	26,0	16	11	P1A-4CMF
12	5,5	20	32	42	4	32	32,5	20	14	P1A-4DMF
16	5,5	20	32	42	4	32	32,5	20	14	P1A-4DMF
20	6,5	25	40	54	5	36	45,0	25	17	P1A-4HMF
25	6,5	25	40	54	5	40	45,0	25	17	P1A-4HMF



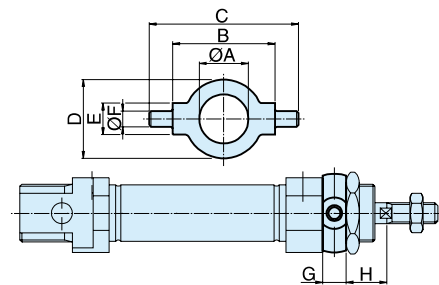
Cover trunnion

Cylinder Ø mm	A mm	B h14 mm	C mm	D mm	E1 mm	F e9 mm	G mm	H mm	Order code
10	12,5	26	38	20	9	4	6	10	P1A-4CMJZ
12	16,5	38	58	25	13	6	8	14	P1A-4DMJZ
16	16,5	38	58	25	13	6	8	14	P1A-4DMJZ
20	22,5	46	66	30	13	6	8	16	P1A-4HMJZ
25	22,5	46	66	30	13	6	8	20	P1A-4HMJZ



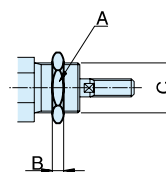
**Cover trunnion
Stainless steel**

Cylinder Ø mm	A mm	B h14 mm	C mm	D mm	E mm	F e9 mm	G mm	H mm	Order code
10	12,5	26	38	20	8	4	6	10	P1A-4CMJ
12	16,5	38	58	25	10	6	8	14	P1A-4DMJ
16	16,5	38	58	25	10	6	8	14	P1A-4DMJ
20	22,5	46	66	30	10	6	8	16	P1A-4HMJ
25	22,5	46	66	30	10	6	8	20	P1A-4HMJ



Stainless Mounting nut

Cylinder Ø mm	A mm	B mm	C	Order code
10	17	5	M12x1,25	9126725405
12	24	8	M16x1,50	9126725406
16	24	8	M16x1,50	9126725406
20	27	5	M22x1,50	9126725407
25	27	5	M22x1,50	9126725407

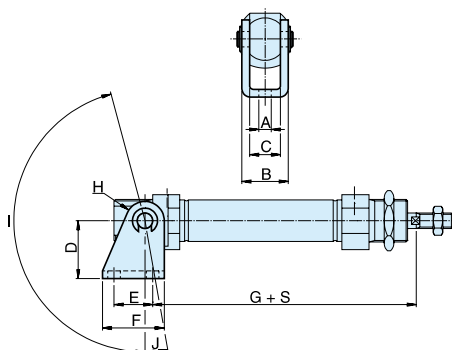


Cylinder Mountings

Clevis bracket

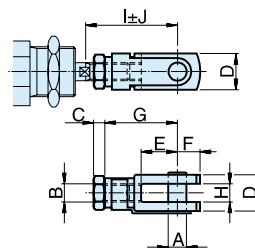
Cylinder Ø mm	A mm	B mm	C mm	D mm	E mm	F mm	G mm	H mm	I °	J °	Order code
10	4,5	13	8	24	12,5	20	65,3	5	160	17	P1A-4CMT
12	5,5	18	12	27	15,0	25	73,0	7	170	15	P1A-4DMT
16	5,5	18	12	27	15,0	25	80,0	7	170	15	P1A-4DMT
20	6,5	24	16	30	20,0	32	91,0	10	165	10	P1A-4HMT
25	6,5	24	16	30	20,0	32	100,0	10	165	10	P1A-4HMT

S=stroke



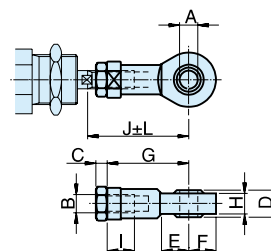
Clevis

Cylinder Ø mm	A mm	B	C mm	D mm	E mm	F mm	G mm	H mm	I mm	J mm	Order code
10	4	M4	2,2	8	8	5	16	4	22,0	2,0	P1A-4CRC
12	6	M6	3,2	12	12	7	24	6	31,0	3,0	P1A-4DRC
16	6	M6	3,2	12	12	7	24	6	31,0	3,0	P1A-4DRC
20	8	M8	4,0	16	16	10	32	8	40,5	3,5	P1A-4HRC
25	10	M10x1,25	5,0	20	20	12	40	10	49,0	3,0	P1A-4JRC



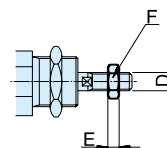
Swivel rod eye

Cylinder Ø mm	A mm	B	C mm	D mm	E mm	F mm	G mm	H mm	I mm	J mm	K mm	L mm	Order code
10	5	M4	2,2	8	10	9	27	6,0	8	33,0	9	2,0	P1A-4CRS
12	6	M6	3,2	9	10	10	30	6,8	9	38,5	11	1,5	P1A-4DRS
16	6	M6	3,2	9	10	10	30	6,8	9	38,5	11	1,5	P1A-4DRS
20	8	M8	4,0	12	12	12	36	9,0	12	46,0	14	2,0	P1A-4HRS
25	10	M10x1,25	5,0	14	14	14	43	10,5	15	52,5	17	2,5	P1A-4JRS



Stainless Rod nut

Cylinder Ø mm	D	F mm	E mm	Order code
10	M4	7	2,2	9127385121
12	M6	10	3,2	9127385122
16	M6	10	3,2	9127385122
20	M8	13	4,0	9127385123
25	M10x1,25	17	5,0	9126725404



Flange MF8



Foot bracket MS3



Cover trunnion

Cover trunnion
Stainless steelStainless steel
mounting nut

Ø 10	P1A-4CMB	P1A-4CMF	P1A-4CMJZ	P1A-4CMJ	9126725405
Ø 12	P1A-4DMB	P1A-4DMF	P1A-4DMJZ	P1A-4DMJ	9126725406
Ø 16	P1A-4DMB	P1A-4DMF	P1A-4DMJZ	P1A-4DMJ	9126725406
Ø 20	P1A-4HMB	P1A-4HMF	P1A-4HMJZ	P1A-4HMJ	9126725407
Ø 25	P1A-4HMB	P1A-4HMF	P1A-4HMJZ	P1A-4HMJ	9126725407

Clevis bracket



Clevis



Swivel rod eye

Stainless steel
Rod nut

Ø 10	P1A-4CMT	P1A-4CRC	P1A-4CRS	9127385121
Ø 12	P1A-4DMT	P1A-4DRC	P1A-4DRS	9127385122
Ø 16	P1A-4DMT	P1A-4DRC	P1A-4DRS	9127385122
Ø 20	P1A-4HMT	P1A-4HRC	P1A-4HRS	9127385123
Ø 25	P1A-4HMT	P1A-4JRC	P1A-4JRS	9126725404