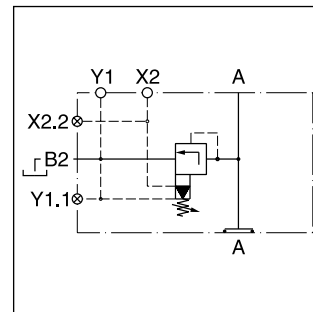


Characteristics

Direct operated 3-way pressure compensators series R5P can be combined with any type of fixed or adjustable flow resistor (throttle) to provide a load compensated flow.

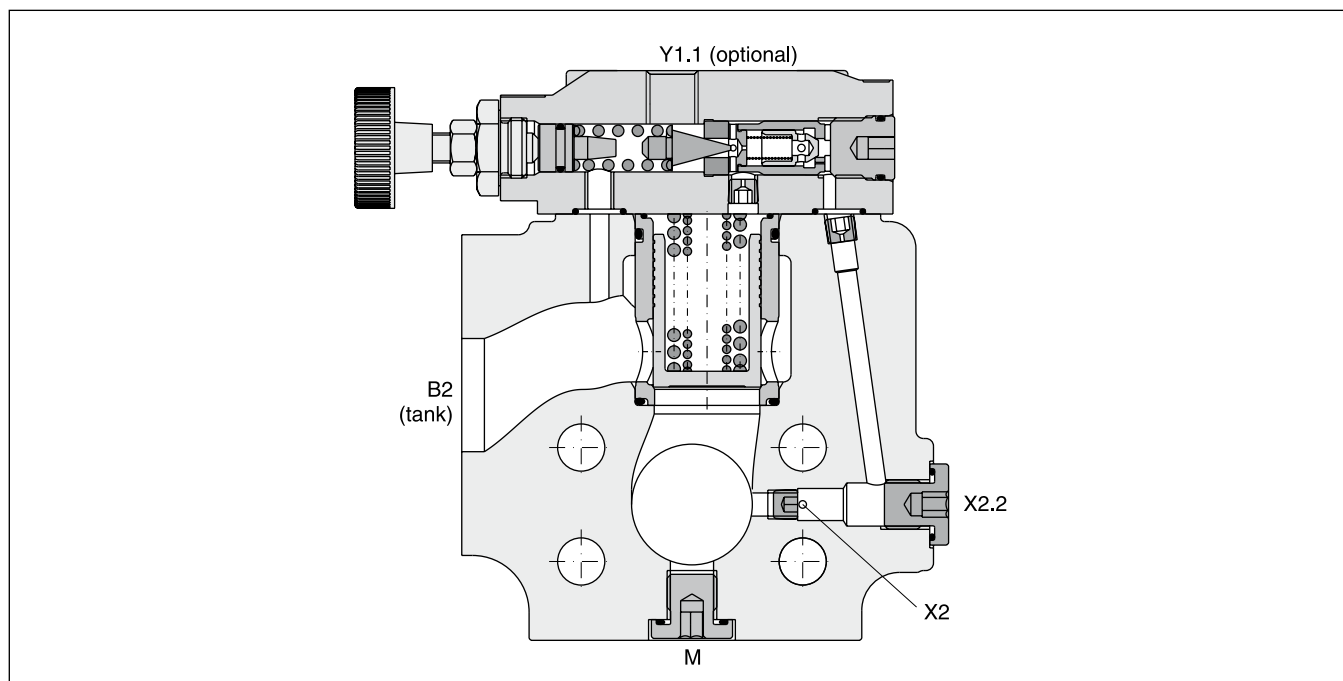
The combination with the proportional throttle valve F5C serves as a compact 3-way flow control unit in SAE flange design. The R5P is typically used as meter-in compensator in front of the flow resistor.

The R5P is additionally equipped with a pressure relief pilot, that controls the compensator cartridge and operates as system pressure relief valve. The R5P*P2 provides a proportional relief function.

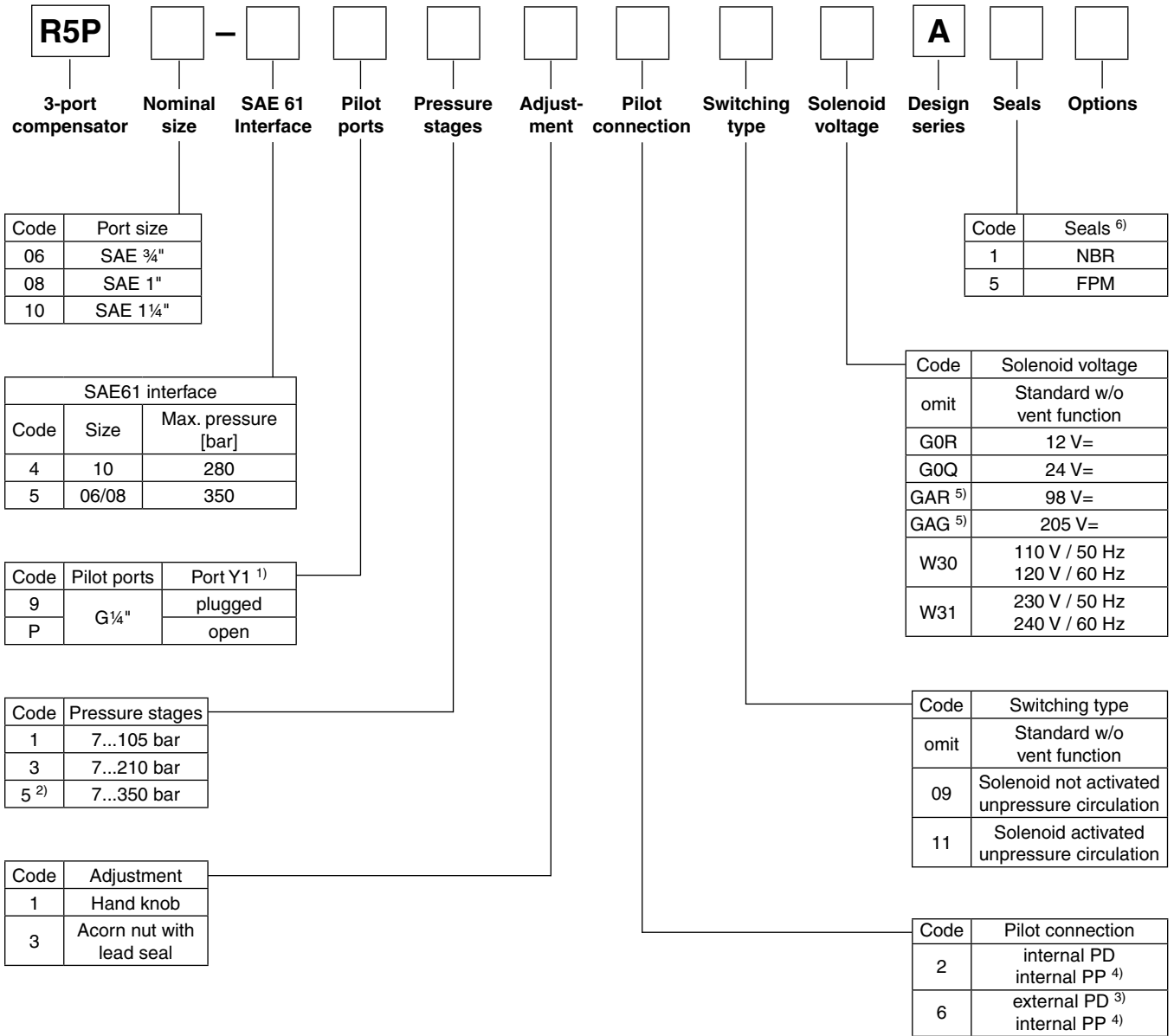


Features

- Seated type 3-way pressure compensator
- SAE61 flange
- 8.4 bar control pressure
- Pressure relief function (optionally proportional)
- With optional vent function
- 3 sizes, SAE 3/4", 1", 1 1/4"
- Load compensated flow in combination with F5C



R5P

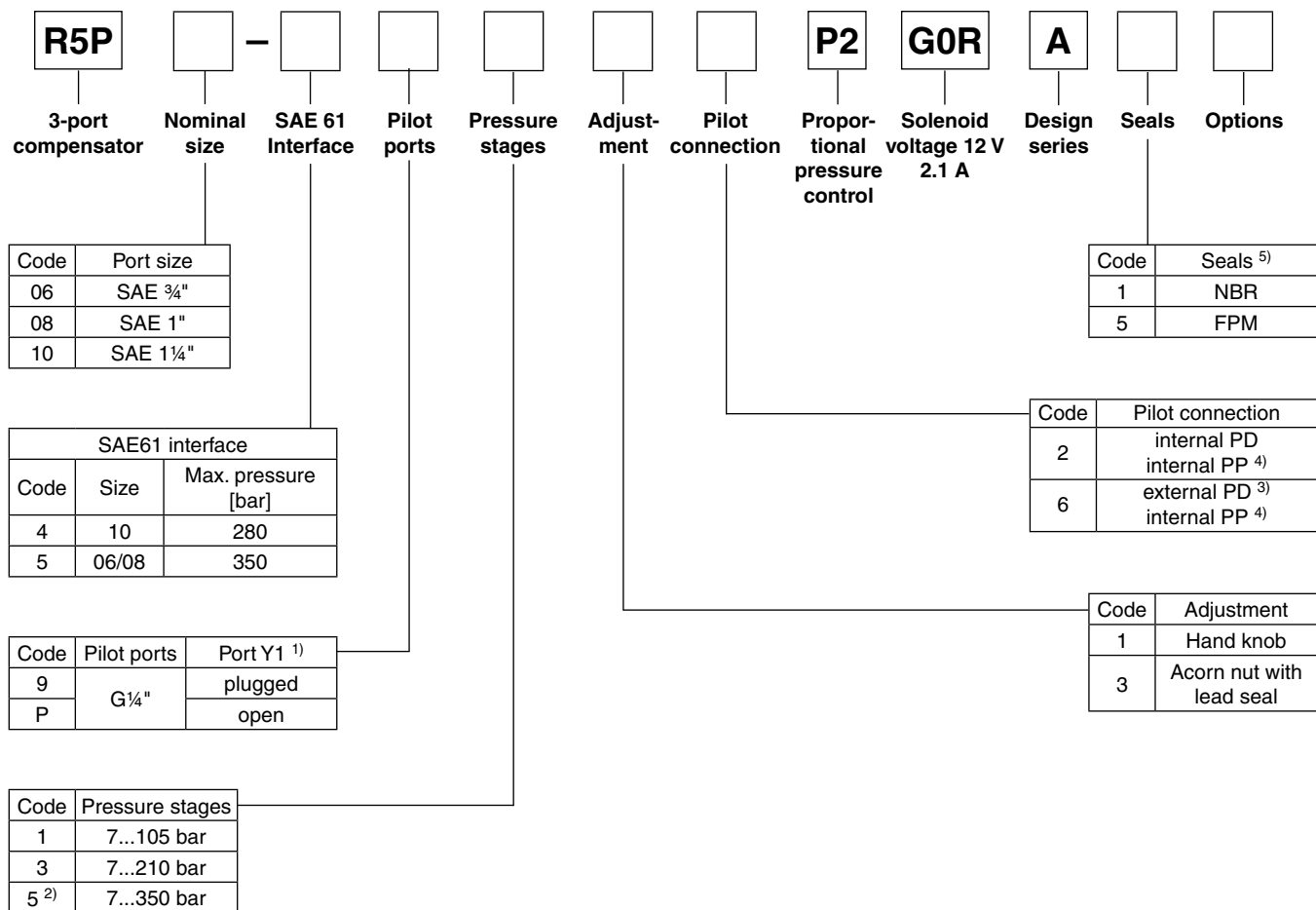


9

¹⁾ Y1 port is used in combination with F5C, when the F5C should be drained through the R5P (internal or external drain).
²⁾ R5P10-4*5 up to 280 bar.
³⁾ Through port Y1.1.
⁴⁾ PP through port X1 in outlet flange.
⁵⁾ To be used in combination with rectifier plugs at 120 VAC/230 VAC power supply.
⁶⁾ Further seals on request.

Ordering Code

R5P*P2



¹⁾ Y1 port is used in combination with F5C, when the F5C should be drained through the R5P (internal or external drain).
²⁾ R5P10-4*5 up to 280 bar.
³⁾ Through port Y1.1.
⁴⁾ PP through port X1 in outlet flange.
⁵⁾ Further seals on request.

Technical Data

R5P

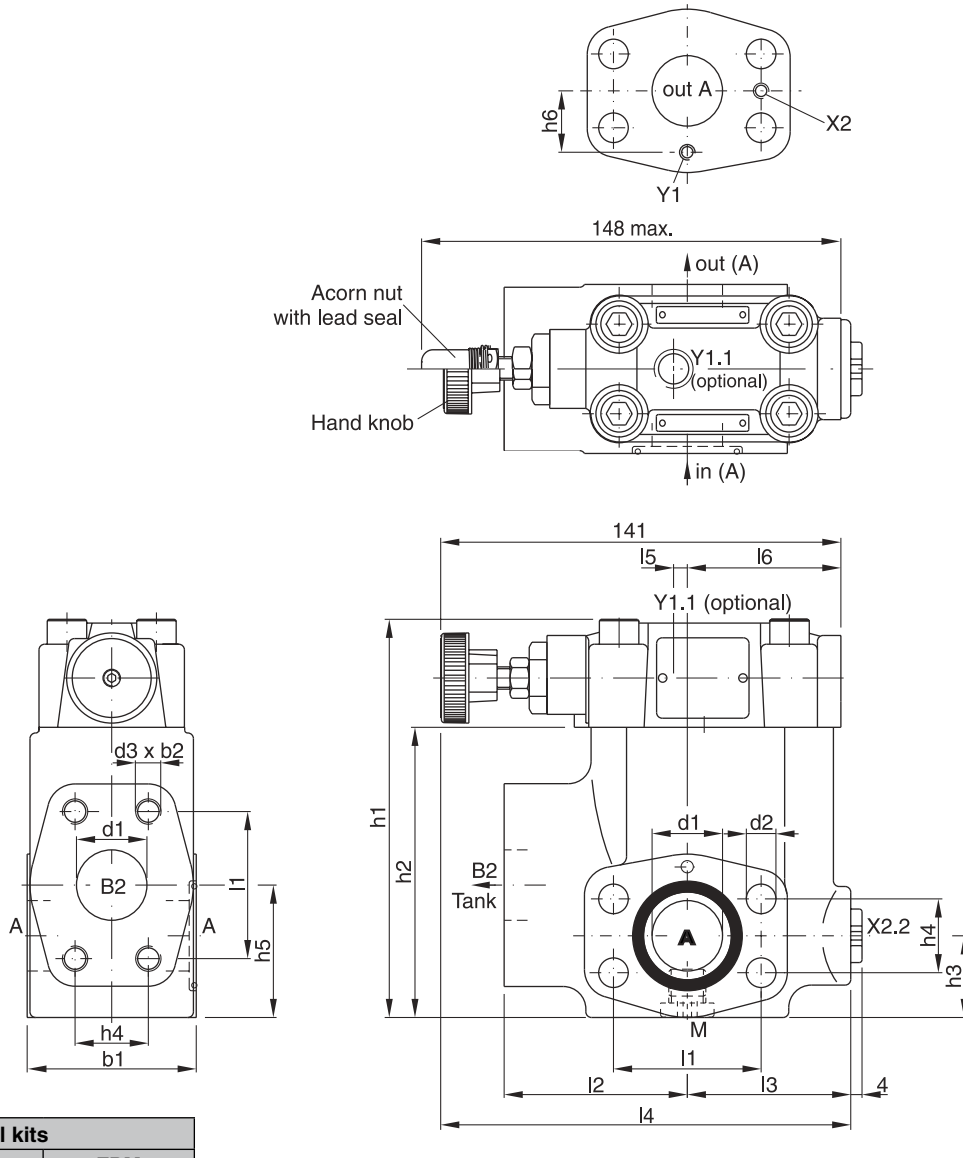
General		06 (¾")	08 (1")	10 (1¼")			
Size							
Mounting		Flanged according to SAE61					
Mounting position		unrestricted					
Ambient temperature	[°C]	-20...+60					
MTTF _D value	[years]	150					
Weight	R5P [kg]	3.7	4.4	5.3			
	R5P with VV01 [kg]	5.4	6.1	7.0			
Hydraulic							
Max. operating pressure	Ports A, B [bar]	350	350	280			
Pressure stages	[bar]	105, 210, 350					
Nominal flow	[l/min]	90	300	600			
Fluid		Hydraulic oil according to DIN 51524					
Fluid temperature	[°C]	-20...+70 (NBR: -25...+70)					
Viscosity	permitted [cSt] / [mm ² /s]	20...400					
	recommended [cSt] / [mm ² /s]	30...80					
Filtration		ISO 4406 (1999); 18/16/13					
Electrical (solenoid) R5P with VV01							
Duty ratio		100 % ED; CAUTION: coil temperature up to 150 °C possible					
Protection class		IP65 in accordance with EN 60529 (with correctly mounted plug-in connector)					
	Code	G0R	G0Q	GAR	GAG	W30	W31
Supply voltage	[V]	12 V =	24 V =	98 V =	205 V =	110 at 50 Hz 120 at 60 Hz	230 at 50 Hz 240 at 60 Hz
Tolerance supply voltage	[%]	±10	±10	±10	±10	±5	±5
Current consumption	hold [A]	2.72	1.29	0.33	0.13	0.6 / 0.55	0.3 / 0.27
	in rush [A]	2.72	1.29	0.33	0.13	2.5 / 2.4	1.25 / 1.2
Power consumption	hold [W]	32.7	31	31.9	28.2	70 / 70 VA	70 / 70 VA
	in rush [W]	32.7	31	31.9	28.2	280 / 290 VA	280 / 290 VA
Solenoid connection		Connector as per EN175301-803, solenoid identification as per ISO 9461					
Wiring min.	[mm ²]	3 x 1.5 recommended					
Wiring length max.	[m]	50 recommended					

R5P*P2

General		06 (¾")	08 (1")	10 (1¼")
Size				
Mounting		Flanged according to SAE61		
Mounting position		unrestricted		
Ambient temperature	[°C]	-20...+60		
MTTF _D value	[years]	75		
Weight	[kg]	5.5	6.2	7.1
Hydraulic				
Max. operating pressure	Ports A, B [bar]	350	350	280
Pressure stages	[bar]	105, 210, 350		
Nominal flow	[l/min]	90	300	600
Fluid		Hydraulic oil according to DIN 51524		
Fluid temperature	[°C]	-20...+70 (NBR: -25...+70)		
Viscosity	permitted [cSt] / [mm ² /s]	20...400		
	recommended [cSt] / [mm ² /s]	30...80		
Filtration		ISO 4406 (1999); 18/16/13		
Electrical (proportional solenoid)				
Duty ratio		100 % ED; CAUTION: coil temperature up to 150 °C possible		
Protection class		IP65 in accordance with EN 60529 (with correctly mounted plug-in connector)		
Code		G0R		
Supply voltage	[V]	12 V =		
Max. current	[A]	2.1		
Coil resistance at 20 °C	[Ohm]	4.28		
Solenoid connection		Connector as per EN 175301-803		
Power amplifier, recommended		PCD00A-400		

Dimensions

R5P



9

Seal kits		
NG	NBR	FPM
06	S16-91461-0	S16-91461-5
08	S16-91460-0	S16-91460-5
10	S16-91459-0	S16-91459-5

	I1	I2	I3	I4	I5	I6	b1	b2	h1	h2	h3	h4	h5	h6	d1	d2	d3
R5P06	47.6	63	56	148	1	49	60	20	119	81.6	29.5	22.2	41.6	20.8	19	10.5	3/8" UNC
R5P08	52.4	65	58	144.6	5	54.5	60	23	142	103	30.5	26.2	48.6	24.3	25	10.5	3/8" UNC
R5P10	58.7	61	64	146.6	3	56.5	75	22	149	113	37.5	30.2	64.1	29.3	32	12.5	7/16" UNC

Ports

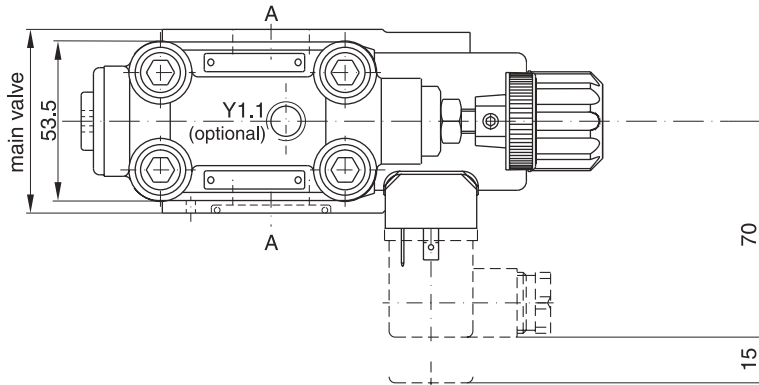
Port	Function	Port size		
		R5P06	R5P08	R5P10
A	Inlet/outlet	3/4"	1"	1 1/4"
B2	Tank	3/4"	1"	1 1/4"
X2	Internal pilot pressure	M3	M3	M3
X2.2	External pilot pressure	G 1/4"	G 1/4"	G 1/4"
Y1	Internal pilot drain	M3	M3	M3
Y1.1	External pilot drain	G 1/4"	G 1/4"	G 1/4"
M	Pressure gauge	G 1/4"	G 1/4"	G 1/4"

R5P UK.INDD CM 16.04.15

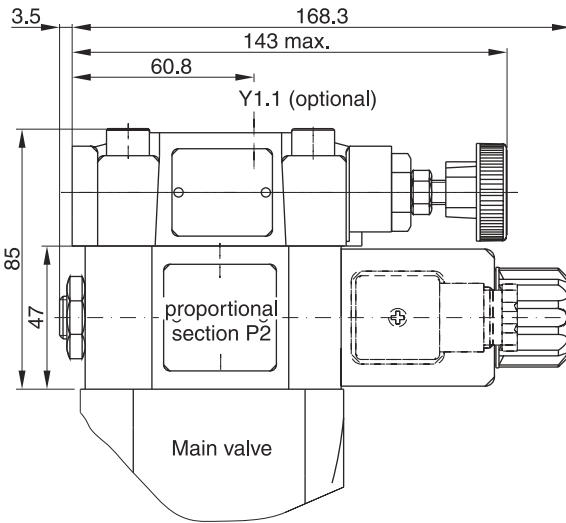


Dimensions

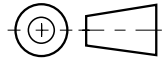
R5P*P2



Drain line only external from the pilot head (Y1.1).
The pilot drain port must be connected to a stable low pressure tank line. Pressure variations in the drain port should be avoided.



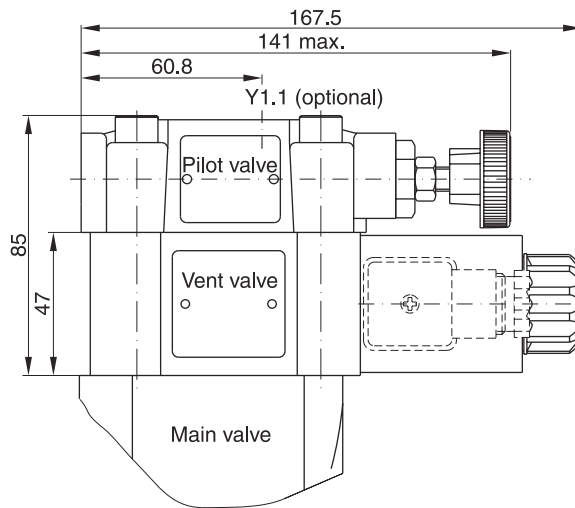
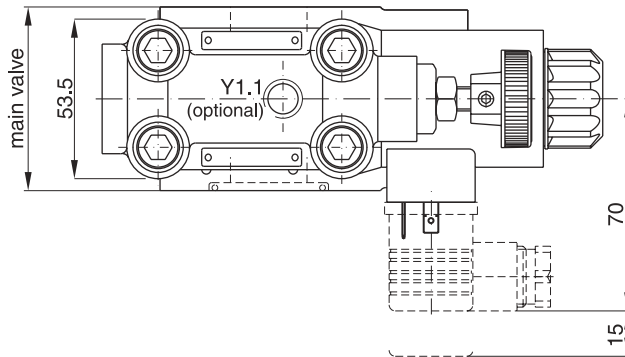
Note:
On initial start up and after long shut down periods bleed air from this plug.



9

	Kit	
	NBR	FPM
Prop. section P2	S26-58473-0	S26-58473-5

R5P with vent function



Seal kits	
NBR	FPM
DC solenoid	
S56-40609-0	S56-40609-5
AC solenoid	
S26-35237-0	S26-35237-5



Code	Internal drain	External drain
11		
09		