

▼ Shown from left to right: CLP-2002, CLP-5002



The Shortest Power Lifter

- Flat design for use in confined areas
- Safety lock nut for mechanical load holding
- Single-acting load return
- Special bearing design resists sideload forces
- Overflow port functions as a stroke limiter
- CR-400 coupler and dust cap included on all models



Saddles

All CLP-Series cylinders include integral tilt saddles with maximum tilt angles up to 5°.



Gauges

Minimize the risk of overloading and ensure long, dependable service from your equipment. Refer to the

System Components section for a full range of gauges.

Page: 113



Hoses

Enerpac offers a complete line of high-quality hydraulic hoses. To ensure the integrity of your system, specify only Enerpac hydraulic hoses.

Page: 114

▼ Only the extreme low height CLP-cylinder fits in this confined area to lift the construction. The V-82 needle valve is used to control cylinder speed during lifting and lowering.



Cylinder Capacity (ton) [maximum]	Stroke (in)	Model Number	Cylinder Effective Area (in ²)	Oil Capacity (in ³)
60 [67.1]	1.97	CLP-602	13.42	26.42
100 [113.7]	1.97	CLP-1002	22.75	44.78
160 [179.2]	1.77	CLP-1602	35.85	63.51
200 [221.3]	1.77	CLP-2002	44.27	78.43
250 [284.2]	1.77	CLP-2502	56.85	100.72
400 [433.6]	1.77	CLP-4002	86.72	153.64
500 [566.2]	1.77	CLP-5002	113.25	200.63

Single-Acting, Pancake Lock Nut Cylinders



Speed Chart

See the Enerpac Cylinder Speed Chart in our "Yellow Pages" to determine your approximate cylinder speed.

Page: 251

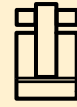


Longer Stroke Lock Nut Cylinders

For lock nut applications that require longer stroke lengths, see **CLL-Series** cylinders.

Page: 44

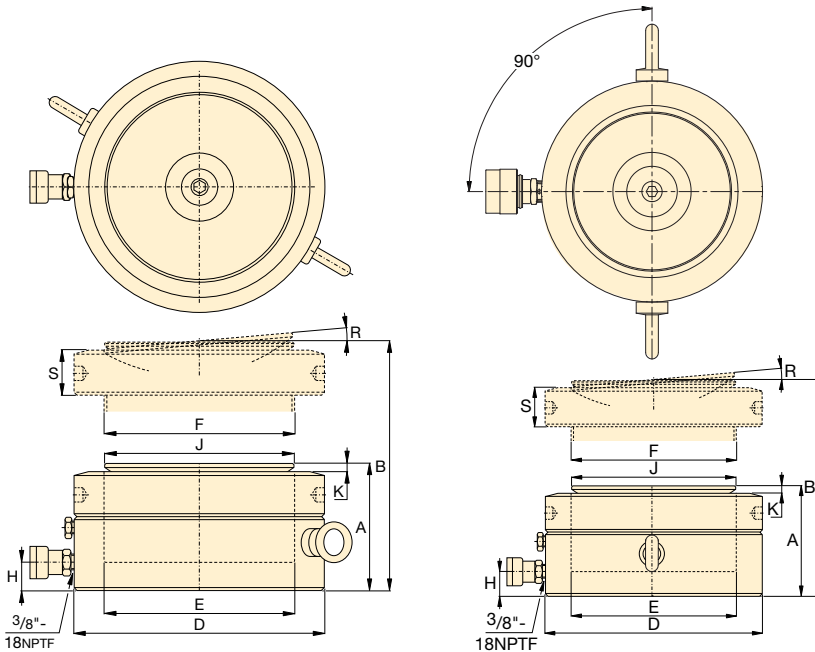
CLP Series



Capacity:
60-500 tons

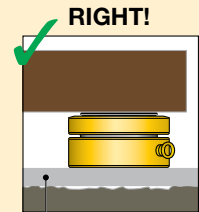
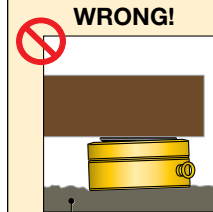
Stroke:
1.77-1.97 inches

Maximum Operating Pressure:
10,000 psi



All CLP-series cylinders require a solid lifting surface for correct support.

Use of pancake cylinders on surfaces such as sand, mud or dirt may result in cylinder damage!



For more safety instructions see our "Yellow Pages".

Page: 241

Collapsed Height	Extended Height	Outside Diameter	Cyl. Bore Diameter	Plunger Diameter	Base to Advance Port	Saddle Diameter	Saddle Protrusion from Plngr.	Saddle Max. Tilt Angle	Lock Nut Height	Weight (lbs)	Model Number
A (in)	B (in)	D (in)	E (in)	F (mm)	H (in)	J (in)	K (in)	R	S (in)		
4.92	6.89	5.51	4.13	Tr 104 x 4	.75	3.78	.24	5°	1.10	33	CLP-602
5.39	7.36	6.89	5.38	Tr 136 x 6	.83	4.96	.31	5°	1.22	57	CLP-1002
5.83	7.60	8.66	6.76	Tr 171 x 6	1.06	6.30	.35	5°	1.57	97	CLP-1602
6.10	7.87	9.65	7.51	Tr 190 x 6	1.18	7.09	.39	5°	1.69	125	CLP-2002
6.26	8.03	10.83	8.51	Tr 216 x 6	1.26	7.87	.43	5°	1.73	163	CLP-2502
7.01	8.78	13.78	10.51	Tr 266 x 6	1.54	9.84	.43	4°	2.17	295	CLP-4002
7.56	9.33	15.75	12.01	Tr 305 x 6	1.89	11.42	.39	3°	2.44	416	CLP-5002