

Simplified multi-point lifting

The new LL-Series Level Lift System allows a single operator to safely control the lifting and lowering of large, uneven loads.

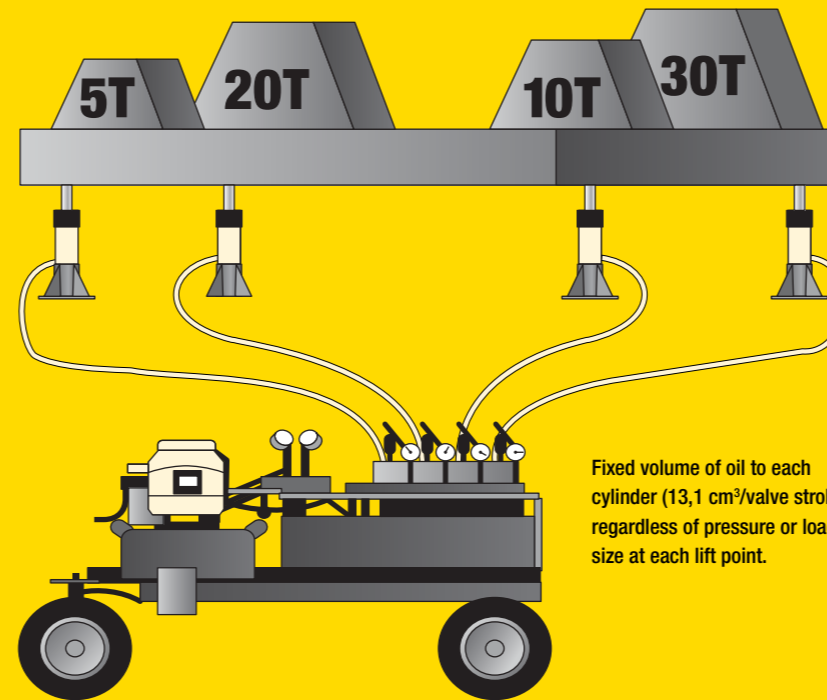
The Level Lift System uses a central, semi-automated pump for control of up to four lift points with the flexibility to isolate and control movement at each point.

The pendant-operated, automated cycle program allows for continuously controlled operation throughout the lifting and lowering process.

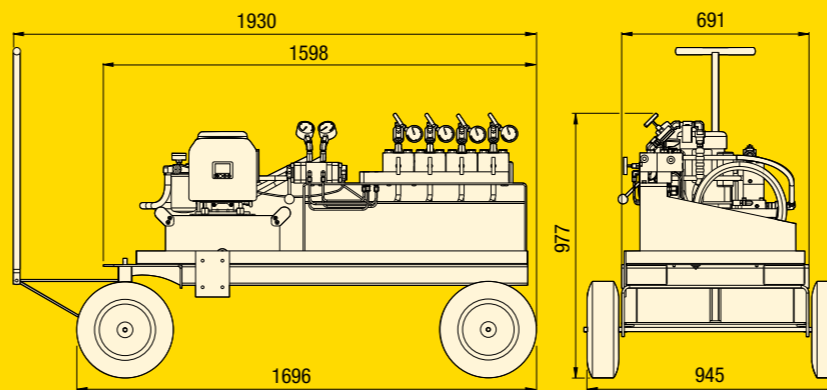
LL-Series LEVEL LIFT Multi-Point Lifting and Lowering System




LL-Series, Level Lift



Specifications



Selection Chart LL-Series Level Lift

Model Number	Pump Motor Voltage	Oil Displacement (per stroke of level lift valve) (cm ³)	Pump Usable Oil Capacity (Litres)	 (kg)
LL4CE	208-240 V, 1 ph, 50/60 Hz	13,1	20,0	295
LL4CB	115 V, 1 ph, 50/60 Hz	13,1	20,0	295

FOR MULTI-POINT LIFTS

Australia and New Zealand
Actuant Australia Ltd.
T +61 297 438 988 – F +61 297 438 648

Brazil
Power Packer do Brasil Ltda.
T +55 11 5687 2211
Toll Free: T 0800 891 5770

China
Actuant (China) Industries Co.Ltd.
T +86 0512 5328 7500
F +86 0512 5335 9690
Toll Free: T +86 400 885 0369

France, Switzerland, North Africa and French speaking African countries
ENERPAC Une division d'ACTUANT France S.A.S.
T +33 1 60 13 68 68 – F +33 1 69 20 37 50

Germany and Austria
ENERPAC GmbH
T +49 211 471 490 – F +49 211 471 49 28

India
Actuant India Private Limited
T +91 80 3928 9000

Italy
ENERPAC S.p.A.
T +39 02 4861 111 – F +39 02 4860 1288

Japan
Applied Power Japan LTD KK
T +81 48 662 4911 – F +81 48 662 4955

Middle East, Egypt and Libya
ENERPAC Middle East FZE
T +971 4 8872686 – F +971 4 8872687

Russia
Rep. office Enerpac
T +7 495 98090 91 – F +7 495 98090 92

Southeast Asia, Hong Kong and Taiwan
Actuant Asia Pte Ltd.
T +65 68 63 0611 – F +65 64 84 5669
Toll Free: T +1800 363 7722

South Korea
Actuant Korea Ltd.
T +82 31 434 4506 – F +82 31 434 4507

Spain and Portugal
ENERPAC SPAIN, S.L.
T +34 91 884 86 06 – F +34 91 884 86 11

Sweden, Denmark, Norway, Finland and Iceland
Enerpac Scandinavia AB
T +46 (0) 771 415000

The Netherlands, Belgium, Luxembourg, Central and Eastern Europe, Baltic States, Greece, Turkey and CIS countries
ENERPAC B.V.
T +31 318 535 911 – F +31 318 535 848

Enerpac Integrated Solutions B.V.
T +31 74 242 20 45 – F +31 74 243 03 38

South Africa and other English speaking African countries
ENERPAC AFRICA (PTY) Ltd.
T 0027 (0) 12 940 0656

United Kingdom and Ireland
ENERPAC Ltd.
T +44 1670 5016 50 – F +44 1670 5016 51

USA, Latin America and Caribbean
ENERPAC
T +1 262 293 1600 – F +1 262 293 7036

User inquiries: +1 800 433 2766
Distributor inquiries/orders:
T +1 800 558 0530
F +1 800 628 0490

info@enerpac.com
www.enerpac.com

9146 GB © Enerpac 09-2015
Subject to change without notice.



THE SAFE, EASY SOLUTION



One person can operate the Level Lift System remotely, away from the load. This single point of control reduces risk of operator miscommunication.

LL-SERIES LEVEL LIFT

MULTI-POINT LIFTING AND LOWERING SYSTEM

Pendant control
Simple 3-button pendant allows for safe, simple operation.



Pump and auto-cycle
Pre-programmed ZE4-Series electric pump with 20 litres reservoir.



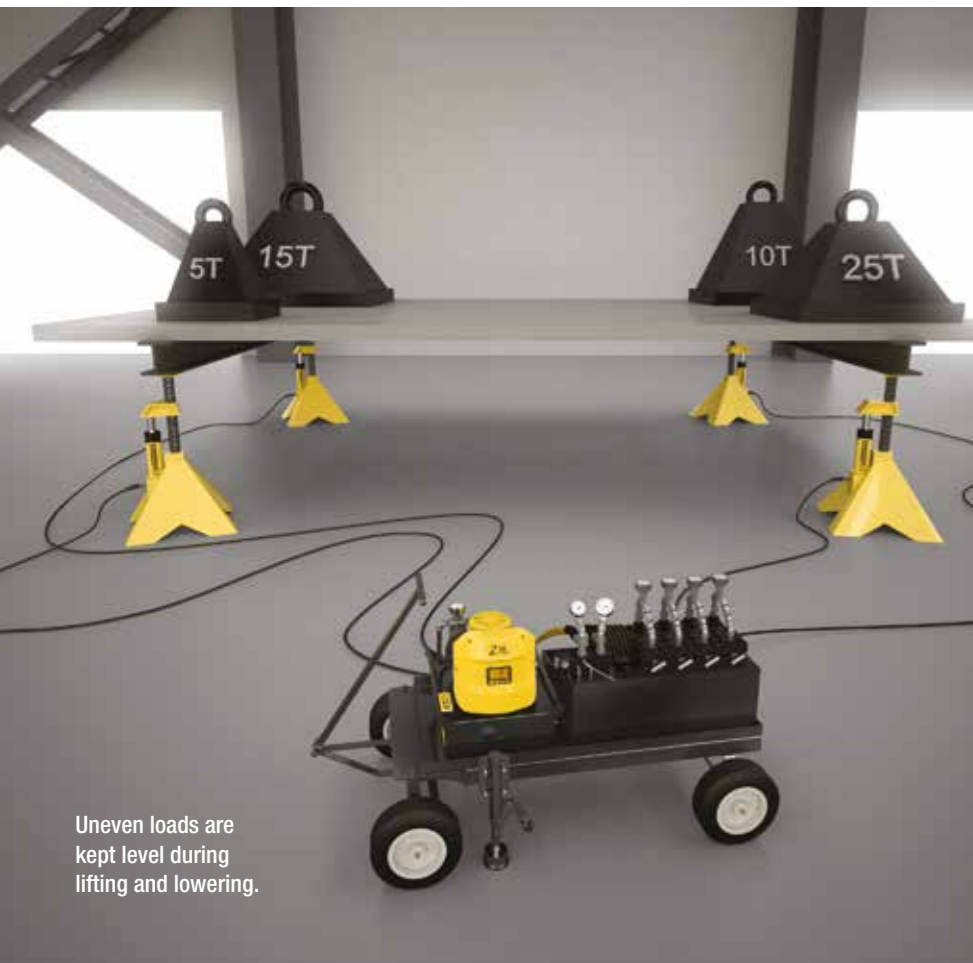
Hose management
Includes four 15 m long 700 bar hoses with 9,7 mm internal diameter.



Pressure gauges
Individual line gauges.



Robust, but simple solution for demanding field use conditions for applications that do not require complex stroke and load control sensors.



Uneven loads are kept level during lifting and lowering.



Level lift valve
4 outlets, lift and lower.

Transportation
Forklift runners built-in.



Positioning and maneuverability
Large diameter pneumatic tires.

Brake
Foot brake for locking the unit in place.



Lift & lower valve
8/3 valve for mode selection.



Configured system
All items assembled on the cart and configured for operation. Cylinders are not included.



Level Lift can be used anywhere a 2-, 3- or 4-point lift is required.

THE SAFE, EASY SOLUTION

FOR MULTI-POINT LIFTS