

Simplified multi-point lifting

The new LL-Series Level Lift System allows a single operator to safely control the lifting and lowering of large, uneven loads.

The Level Lift System uses a central, semi-automated pump for control of up to four lift points with the flexibility to isolate and control movement at each point.

The pendant-operated, automated cycle program allows for continuously controlled operation throughout the lifting and lowering process.

ENERPAC

POWERFUL SOLUTIONS.

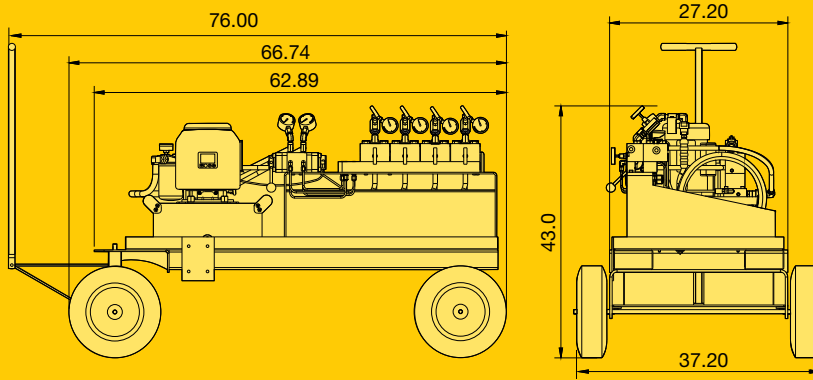
LL-SERIES LEVEL LIFT Multi-Point Lifting Lowering System



FOR MULTI-PO

Specifications

Dimensions are in inches.



Model Number	Voltage	Oil Displacement	Wt.
		(Per stroke of Level Lift Valve)	(lbs)
		(in)	
LL4CE	208-240V, 1 ph, 50 Hz	0.80	651.0
LL4CB	115V, 1 ph, 60 Hz	0.80	651.0

T
ng and
em



POINT LIFTS

Australia and New Zealand
Actuant Australia Ltd.
Tel: +61 297 438 988

Brazil
Power Packer do Brasil
Tel: +55 11 5525 2211
Toll Free: 0800 891 5000

China (Taicang)
Actuant (China) Industrial
Tel: +86 0512 5328 7000
Toll Free: +86 400 888 888

France, Switzerland and French speaking Africa
ENERPAC
Tel: +33 1 60 13 68 60

Germany and Austria
ENERPAC GmbH
Tel: +49 211 471 4900

India
ENERPAC Hydraulics
Tel: +91 80 3928 9000

Italy
ENERPAC S.p.A.
Tel: +39 02 4861 1111

Japan
Applied Power Japan
Tel: +81 48 662 4911

Middle East, Egypt
ENERPAC Middle East
Tel: +971 (0)4 8872600

Russia
Rep. office Enerpac
Tel: +7 495 98090 91

Southeast Asia, Hong Kong
Actuant Asia Pte Ltd.
Tel: +65 68 63 0611
Toll Free: +1800 363 363

South Korea
Actuant Korea Ltd.
Tel: +82 31 434 4506

Spain and Portugal
ENERPAC SPAIN, S.L.
Tel: +34 91 884 86 00

Sweden, Denmark, Norway
Enerpac Scandinavia
Tel: +46 (0) 771 41500

The Netherlands, Belgium, Greece, Turkey and Central and Eastern Europe
ENERPAC B.V.
Tel: +31 318 535 9111

Enerpac Integrated
Tel: +31 74 242 20 40

South Africa and other African countries
ENERPAC Africa (PTY) Ltd.
Tel: +0027 (0) 12 940 0000

United Kingdom and Ireland
ENERPAC Ltd.
Tel: +44 1670 5016 50

USA, Latin America and Canada
ENERPAC
Tel: +1 262 293 1600

User inquiries: +1 800 558 0530
Distributor inquiries: +1 800 558 0530
Tel: +1 800 558 0530

e-mail: info@enerpac.com
internet: www.enerpac.com

Enerpac © 2015
691_030130215_EN-US_C
E & OE

Zealand
L.
- Fax: +61 297 438 648

asil Ltda.
1
770

stries Co., Ltd.
500 - Fax: +86 0512 5335 9690
5 0369

**North Africa and
merican countries**

8 - Fax: +33 1 69 20 37 50

ia
- Fax: +49 211 471 49 28

s Pvt. Ltd.
00

- Fax: +39 02 4860 1288

n LTD KK
- Fax: +81 48 662 4955

and Libya
st FZE
86 - Fax: +971 (0)4 8872687

- Fax: +7 495 98090 92

ng Kong and Taiwan
- Fax: +65 64 84 5669
7722

6 - Fax: +82 31 434 4507

L.
5 - Fax: +34 91 884 86 11

Norway, Finland and Iceland
A AB
000

**elgium, Luxembourg,
Europe, Baltic States,
CIS countries**

- Fax: +31 318 535 848

Solutions B.V.
5 - Fax: +31 74 243 03 38

her English speaking

Y) Ltd.
0656

d Ireland
0 - Fax: +44 1670 5016 51

and Caribbean
0 - Fax: +1 262 293 7036

0 433 2766
orders:
0 - Fax: +1 800 628 0490

pac.com
pac.com

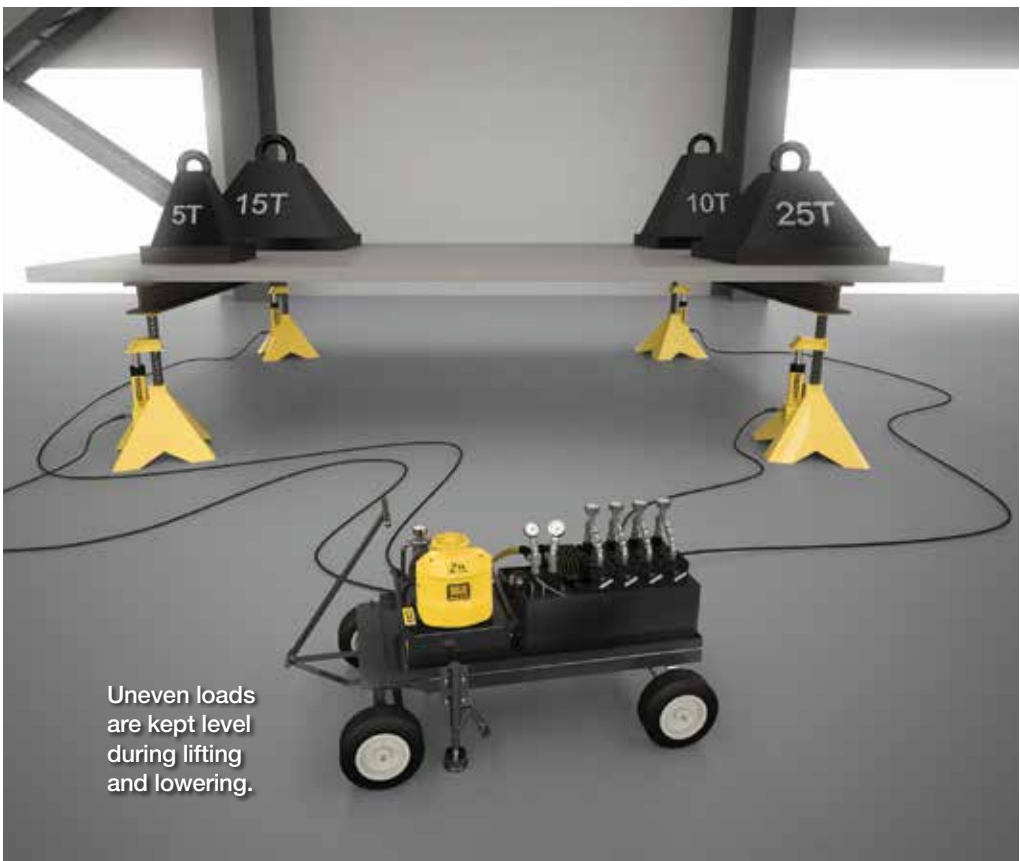
02/12/2015



THE SAFE, EASY SOLUTION



One person can operate the Level Lift System remotely, away from the load. This single point of control reduces risk of operator miscommunication.



Uneven loads are kept level during lifting and lowering.

THE SAFE, EASY SOLUTION

FOR MULTI-POINT LIFTS

LL
L
MU

Pend
Simpl
for sa



Posit
mane
Large
pneur

Confi
All ite
for op

-SERIES

LEVEL LIFT

MULTI-POINT LIFTING AND LOWERING SYSTEM

Pendant control.

The 3-button pendant allows for safe, simple operation.



Pump and auto-cycle.

Pre-programmed ZE4 with 5-gallon reservoir.



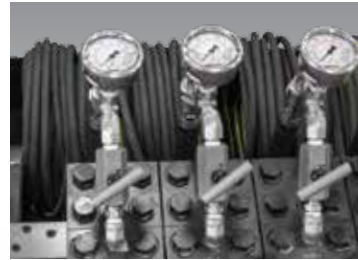
Hose management.

Can store up to four 50 foot long x 3/8" bore, 10K psi hoses.



Gauges.

Individual line gauges.



Level lift valve.

4 outlets, lift and lower.



Transportation.

Forklift runners built-in.

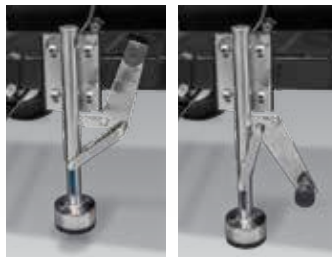


Positioning and maneuverability.

14" diameter pneumatic tires.

Configured system.

Items assembled on the cart and configured for operation. *Cylinders not included.



Brake.

Foot brake for locking the unit in place.





Robust, but simple solution for demanding field use conditions for applications that do not require complex stroke and load control sensors.



Level Lift can be used anywhere a 2-, 3- or 4-point lift is required.

Lift/lower valve.
8/3 valve for mode selection.

ENERPAC 
POWERFUL SOLUTIONS. GLOBAL FORCE.